



ALL DIMENTION IN
METER

SUDAN UNIVERSITY OF SCIENCE
& TECHNOLOGY
COLLAGE OF ARCHITECTURE

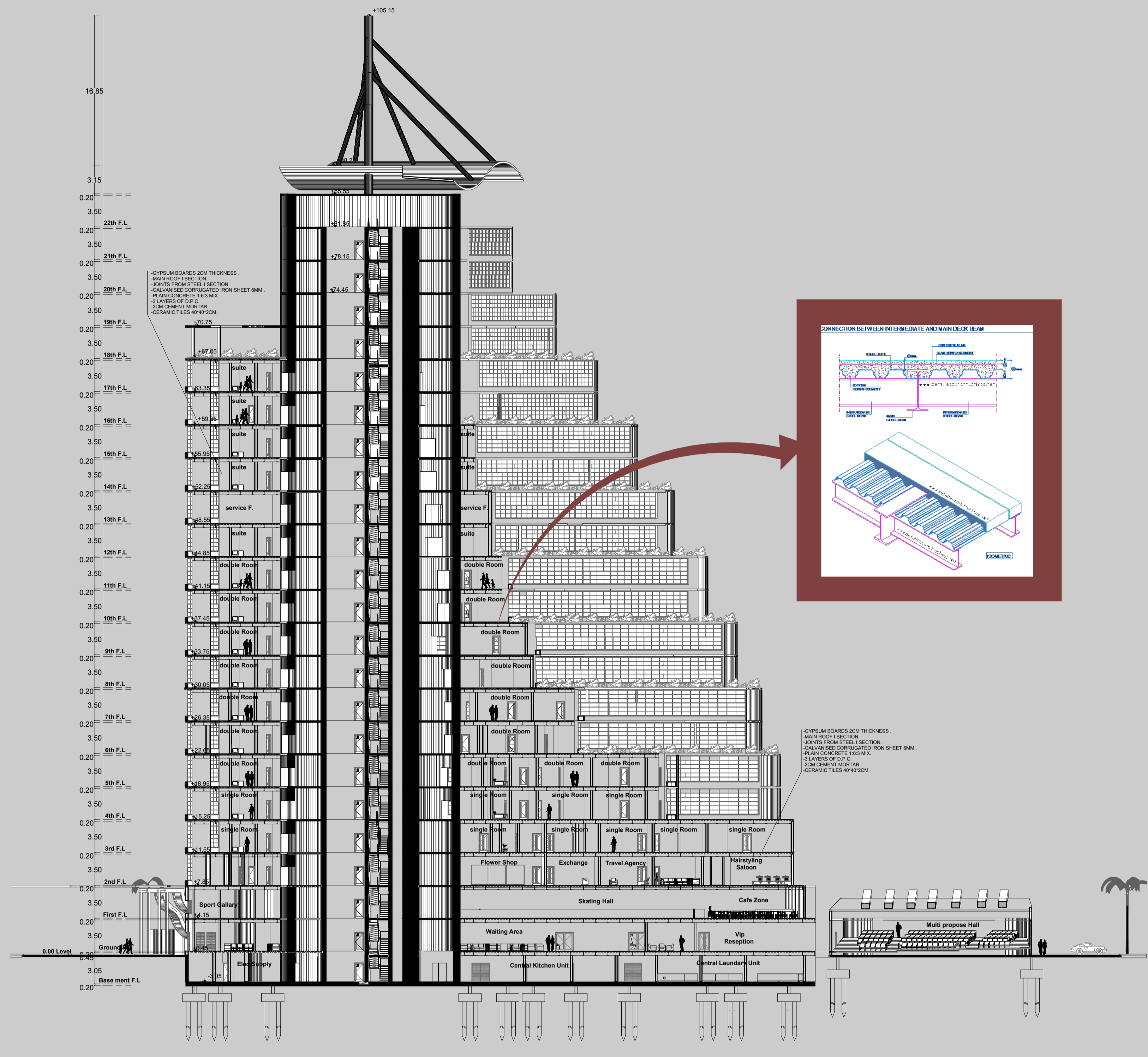
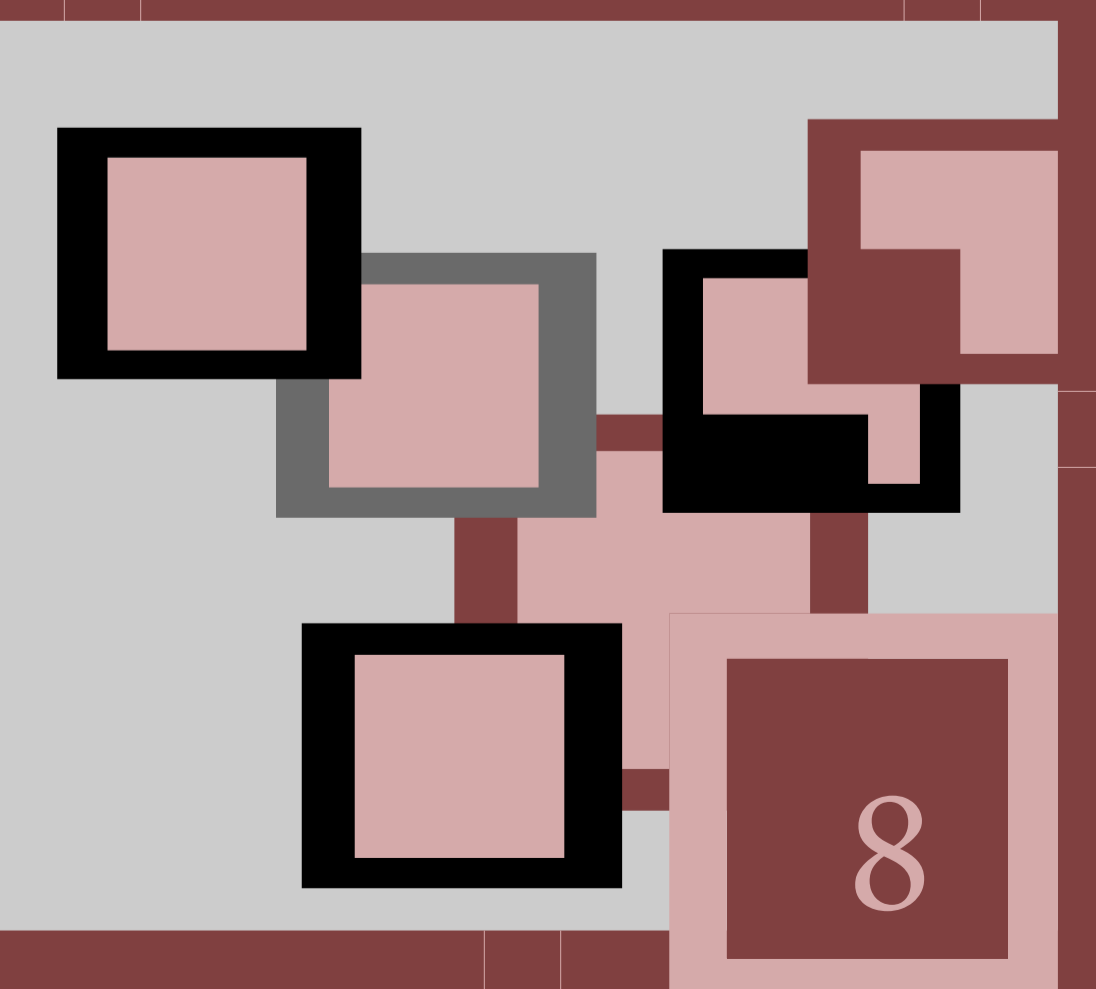
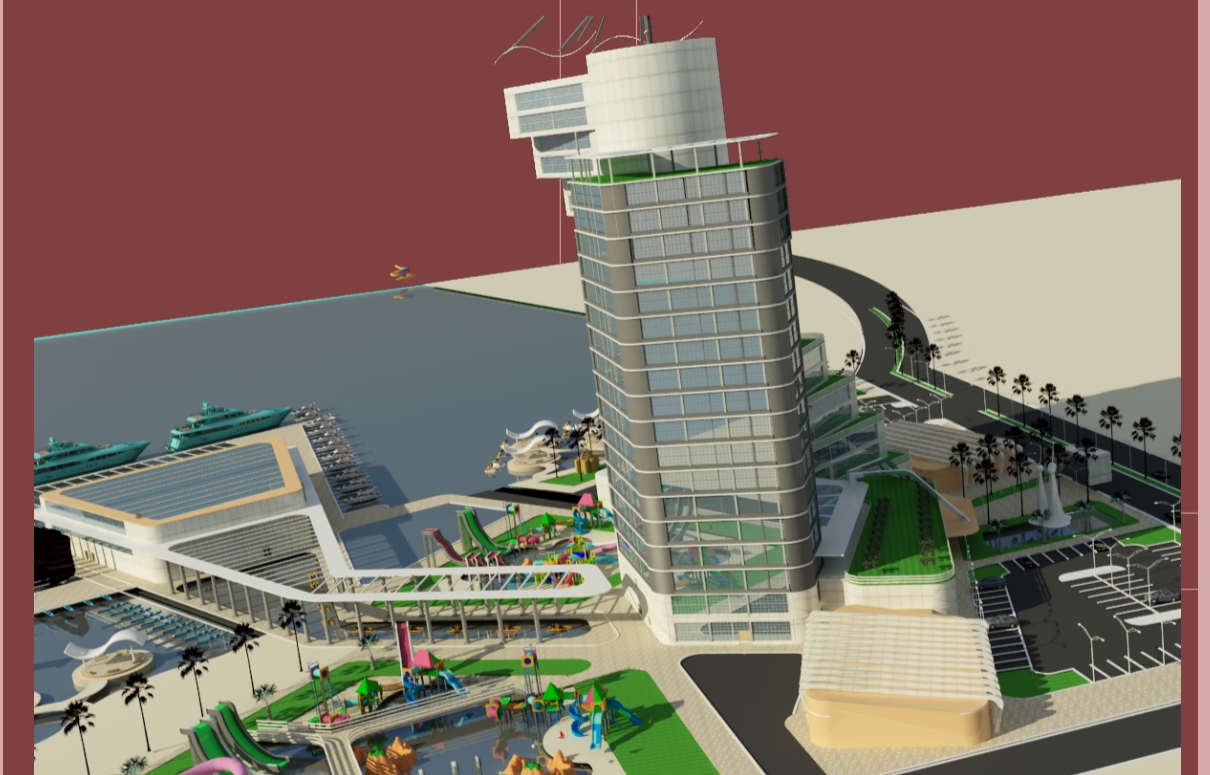
WATER RESORT PARK
PORTSUDAN

LINA MOHAMMED MOHAMMED

AHMED

DR.MAHASIN ABU ALRISH
SECTIONS

SCALE 1:200



SECTION A-A
SCALE 1:200

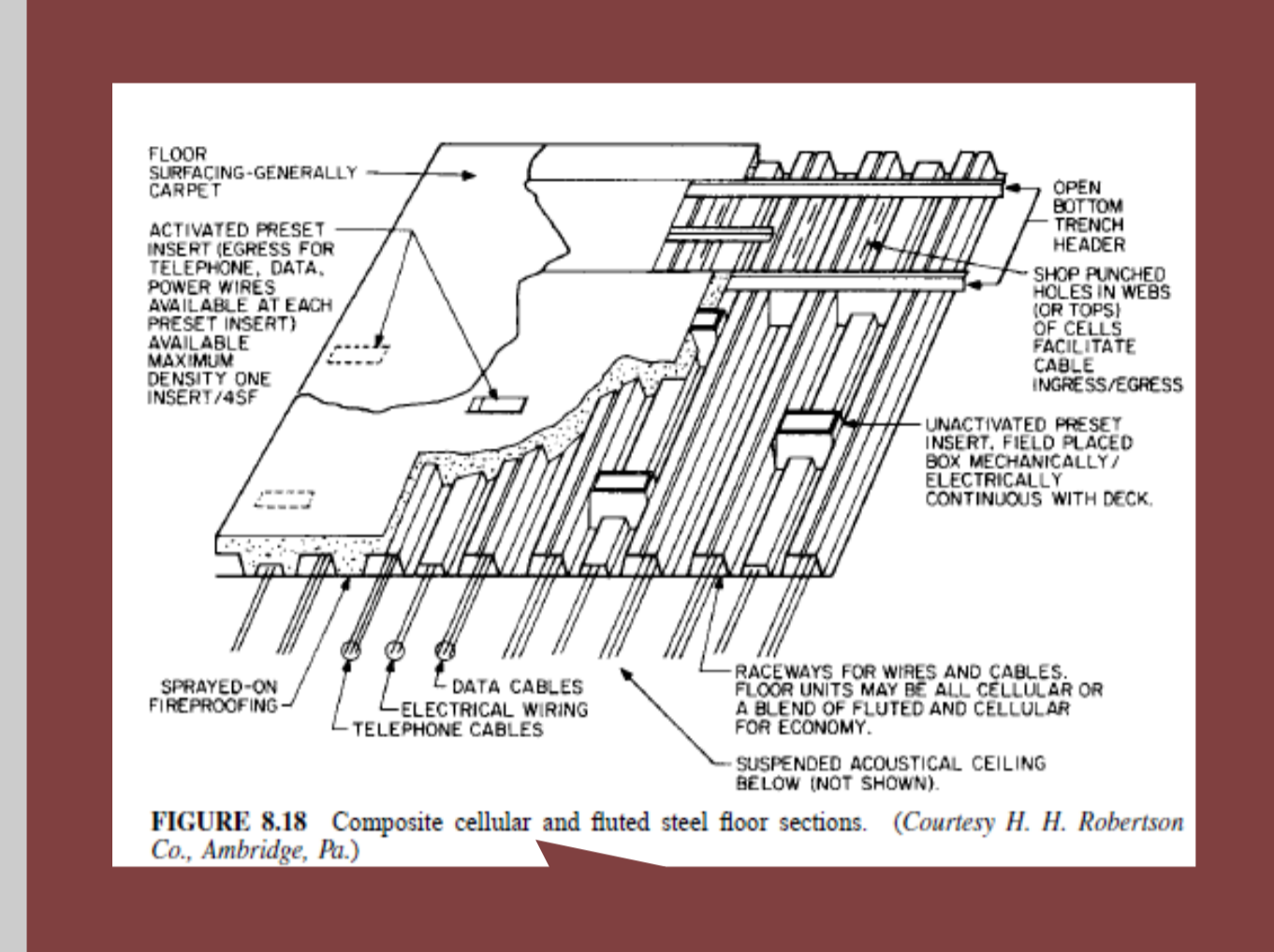
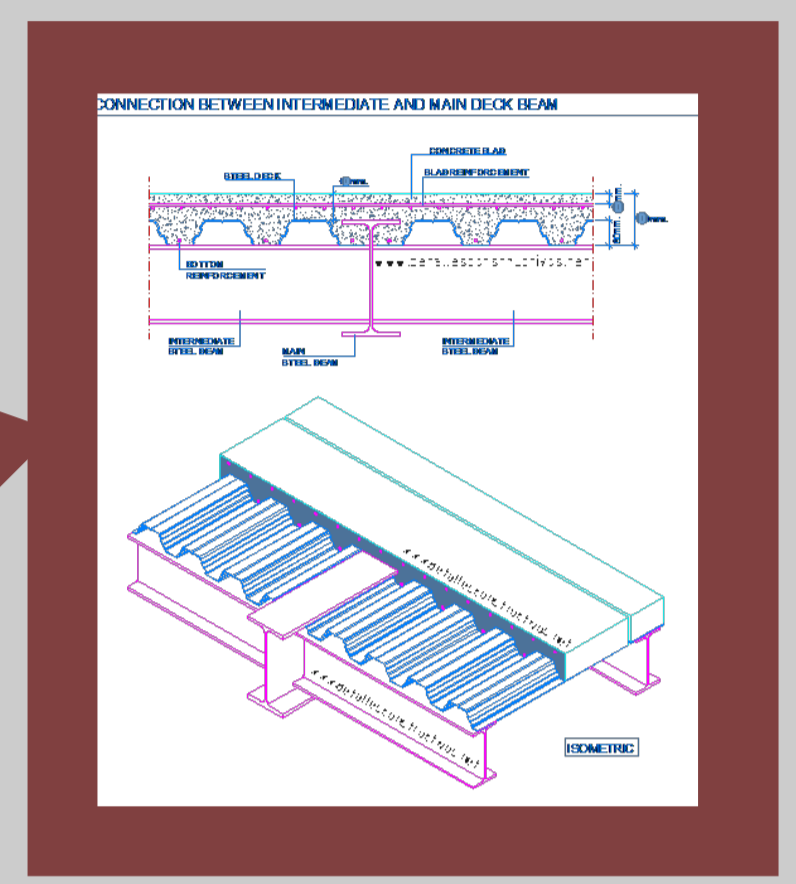
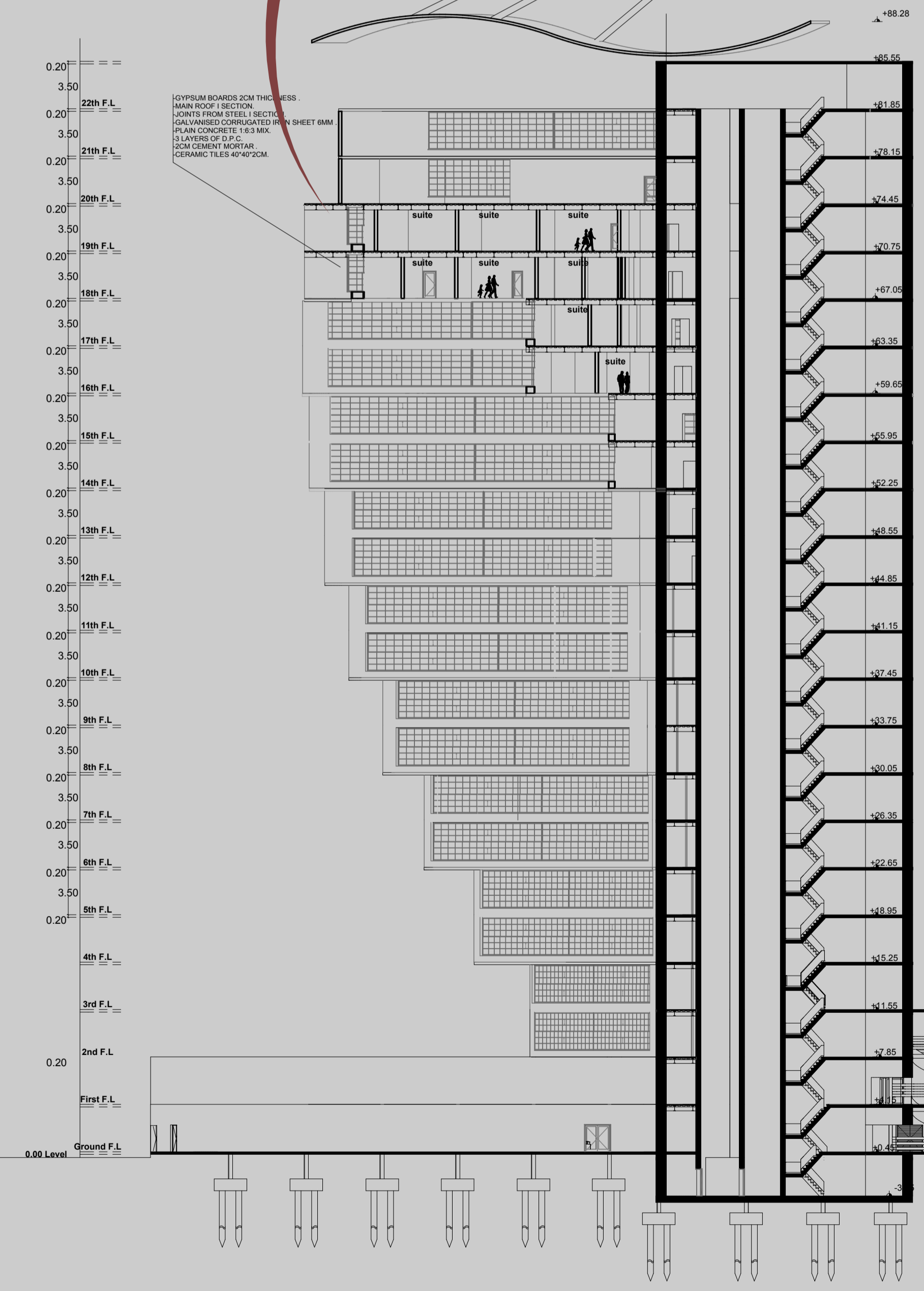


FIGURE 8.18 Composite cellular and fluted steel floor sections. (Courtesy H. H. Robertson Co., Ambridge, Pa.)



SECTION B-B
SCALE 1:200

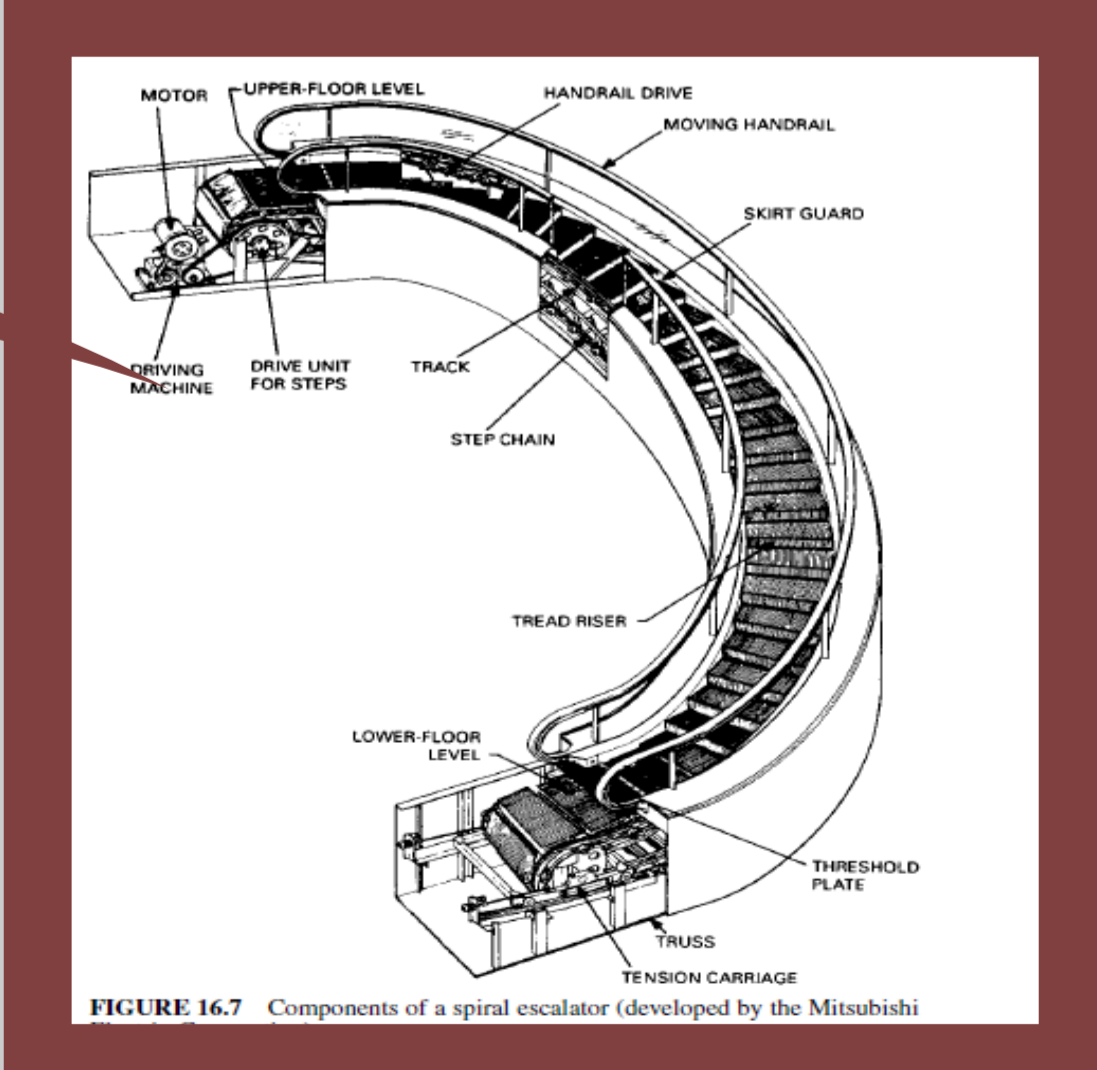


FIGURE 16.7 Components of a spiral escalator (developed by the Mitsubishi)

