

Remarks :

All Dimensions in metric units

WINDOWS

	HEIGHT	WIDTH	TYPE	MATERIAL
W1	1.50	1.20	HORIZONTALLY PIVOT	ALUMINIUM
W2	1.00	1.20	VERTICAL PIVOT	ALUMINIUM
W3	1.00	1.00	NO REVEAL	ALUMINIUM

DOORS

	HEIGHT	WIDTH	TYPE	MATERIAL
D1	2.20	1.00	SINGLE HINGED	WOOD
D2	2.20	0.80	SINGLE HINGED	WOOD
D3	2.20	1.20	SINGLE HINGED	WOODEN FRAME WITH SPONGE FILLING WITH LEATHRE COVER
D4	2.20	1.50	SLIDING DOOR (2 SLIDING SIDES)	ALUMINIUM
D5	2.20	1.80	DOUBLE HINGED	WOOD
D6	2.00	0.70	SINGLE HINGED	ALUMINIUM WITH SILVER CLADEN COVER

FLOOR

	FLOOR	CEILING
F1	-SPANICH CERAMIC NON SLIP TILES 60*60*3 cm -2-cm C/S MORTAR 1:8 mix -D.P.C. 2 BITUMINOUS LAYERS -20-cm REINFORCED CONCRETE (1:2:4) STRUCTURAL SLAB -PLAIN CONCRETE 10 cm -NORMAL SAND 10 cm -HARD CORE 0.50 cm -NATURAL SOIL	C1 20-cm REINFORCED CONCRETE (1:2:4) STRUCTURAL SLAB -FALSE CEILING 60*60cm*2cm BOARDS
F2	-SKALYOLA CERAMIC NON SLIP TILES 20*20*2 cm -2-cm C/S MORTAR 1:8 mix -D.P.C. 2 BITUMINOUS LAYERS -20-cm REINFORCED CONCRETE (1:2:4) STRUCTURAL SLAB -PLAIN CONCRETE 10 cm -NORMAL SAND 10 cm -HARD CORE 0.50 cm -NATURAL SOIL	C2 20-cm REINFORCED CONCRETE (1:2:4) STRUCTURAL SLAB -FIBER FALSE CEILING TILES 60*60cm*1.5cm
F3	-SPANICH CERAMIC NON SLIP TILES 60*60*3 cm -2-cm C/S MORTAR 1:8 mix -REINFORCED CONCRETE (1:2:4) STRUCTURAL SLAB -PLAIN CONCRETE 10 cm -NORMAL SAND 10 cm -HARD CORE 0.50 cm -NATURAL SOIL	C3 20-cm REINFORCED CONCRETE (1:2:4) STRUCTURAL SLAB -Lead-lined blocks 60*60cm*2cm

Key Plan : Ground Floor Plan



PART SECTION B-B : Diagnostic Section

Sudan University of Science & Technology
College of Architecture & Planning
5th Year

Psychiatric Treatment Center

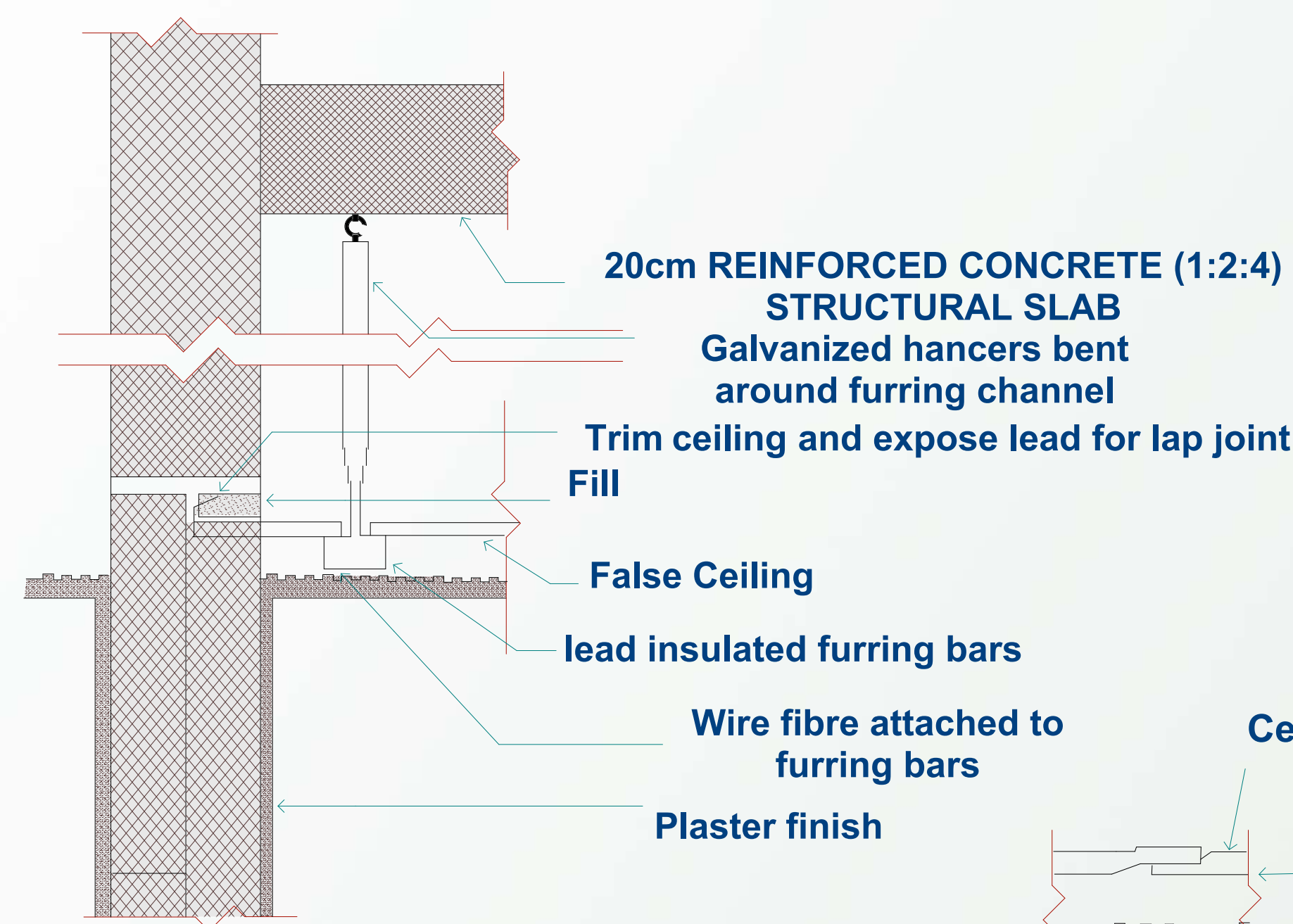
Working Drawing

Designed By : Ghada Ahmed Hashim

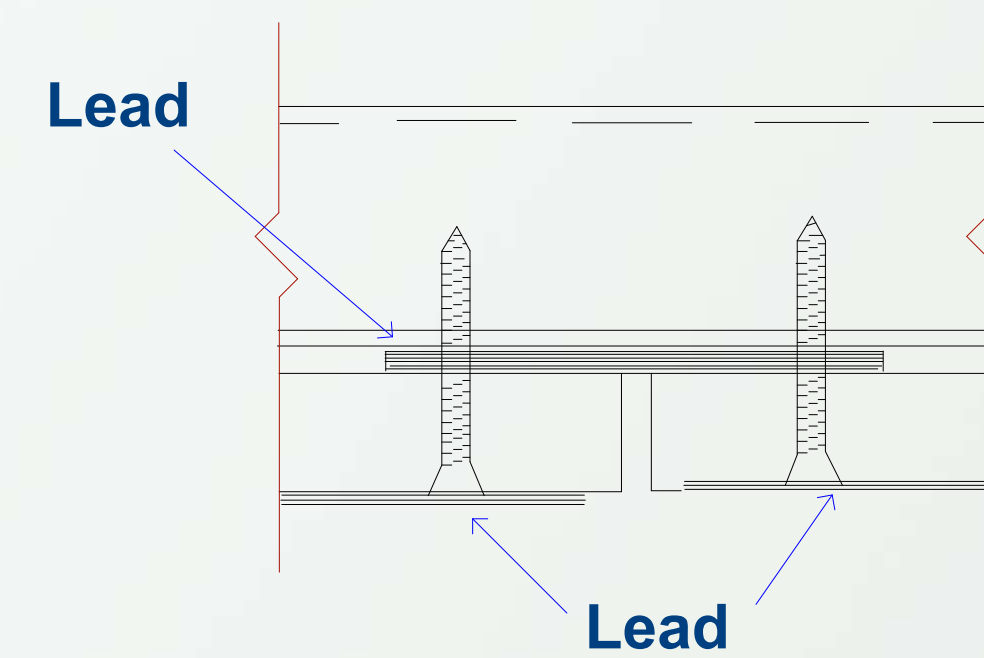
Supervision: Pr.Saoud Sadig

Scale : 1:50

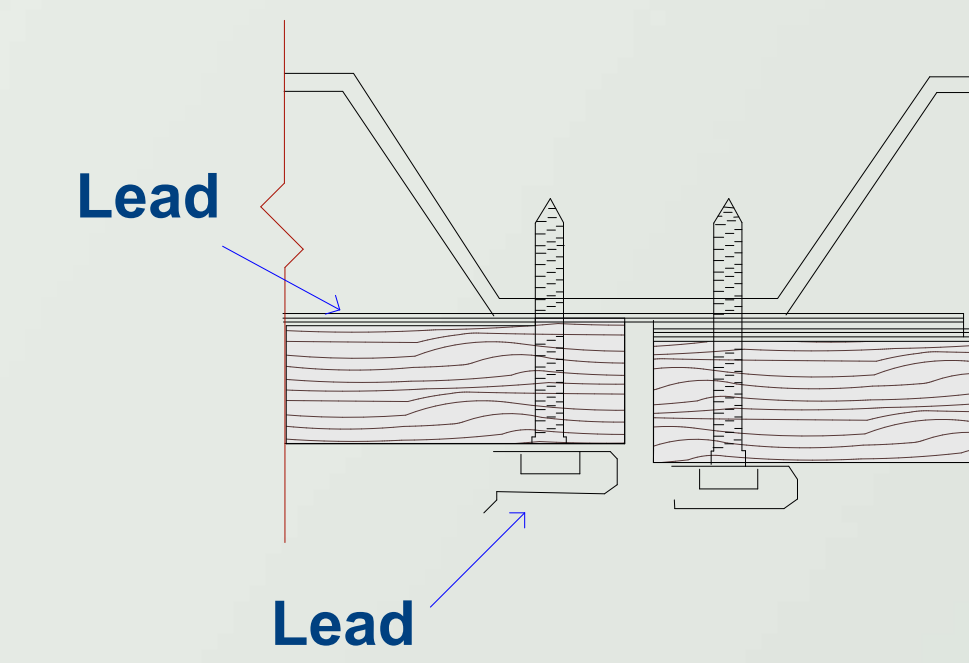
Sheet No. 19



DETAIL 1 :
X-RAY CEILING
SCALE 1:20

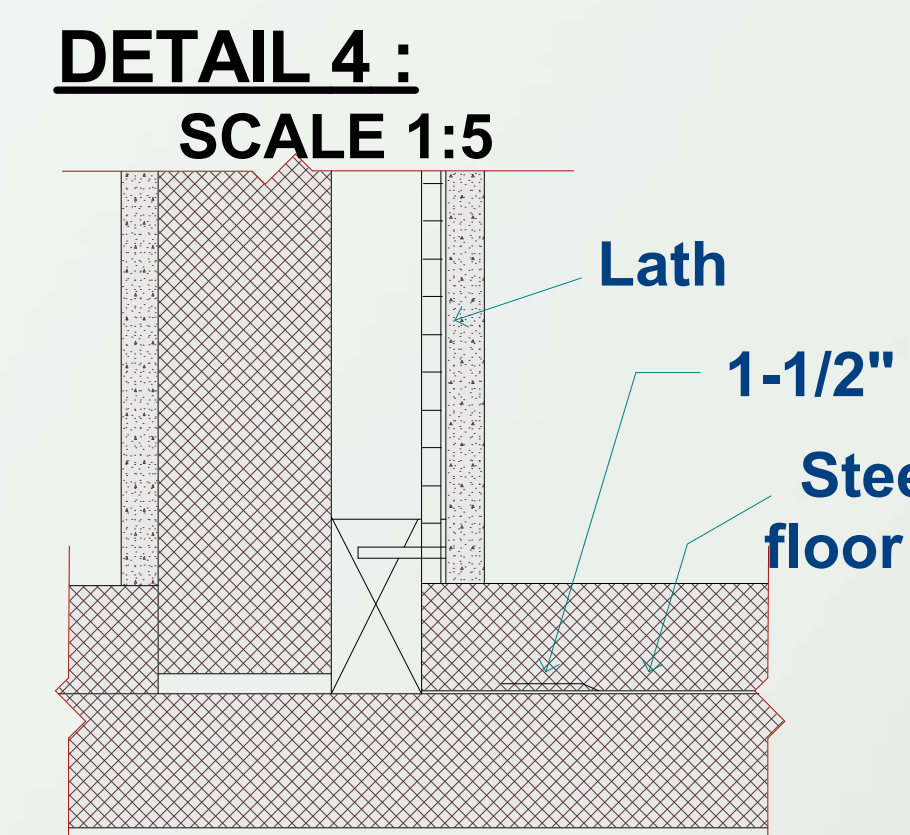


DETAIL 2 :
X-RAY WALL
SCALE 1:20



DETAIL 3 :
SCALE 1:5

SCREWS WITH LEAD DISKS FOR METAL INSTALLATION

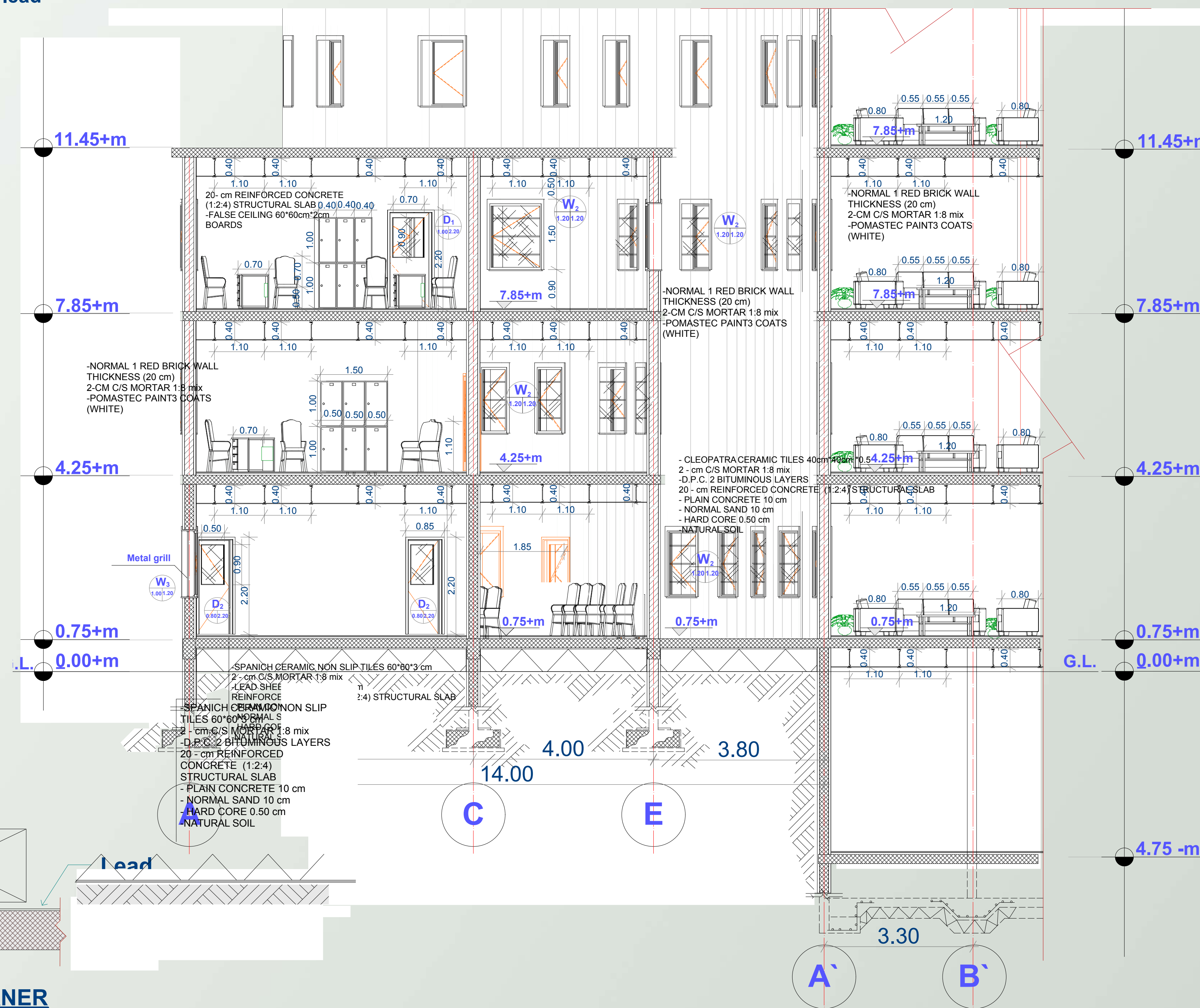


FLOOR LEAD AT WALL

DETAIL 5 :
SCALE 1:20

OUTSIDE CORNER

DETAIL 6 :
SCALE 1:20



PART SECTION B-B : Diagnostic Section Scale : 1:50