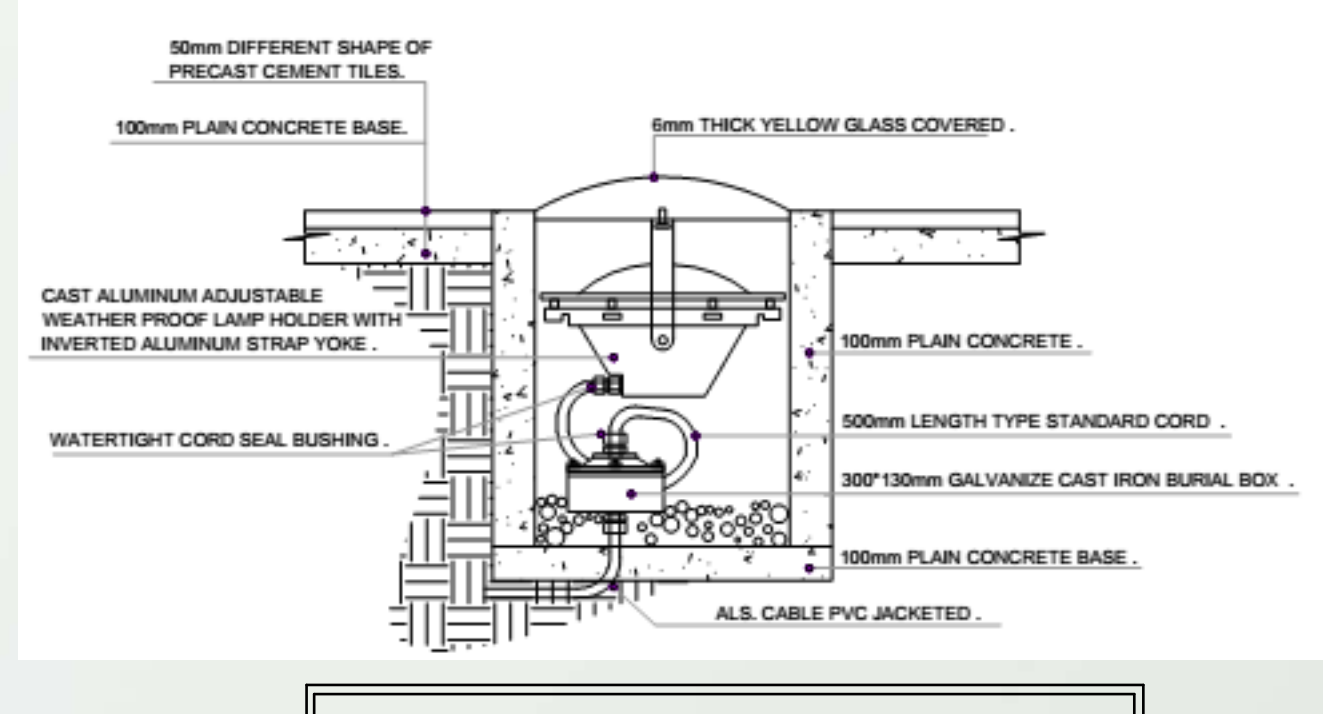
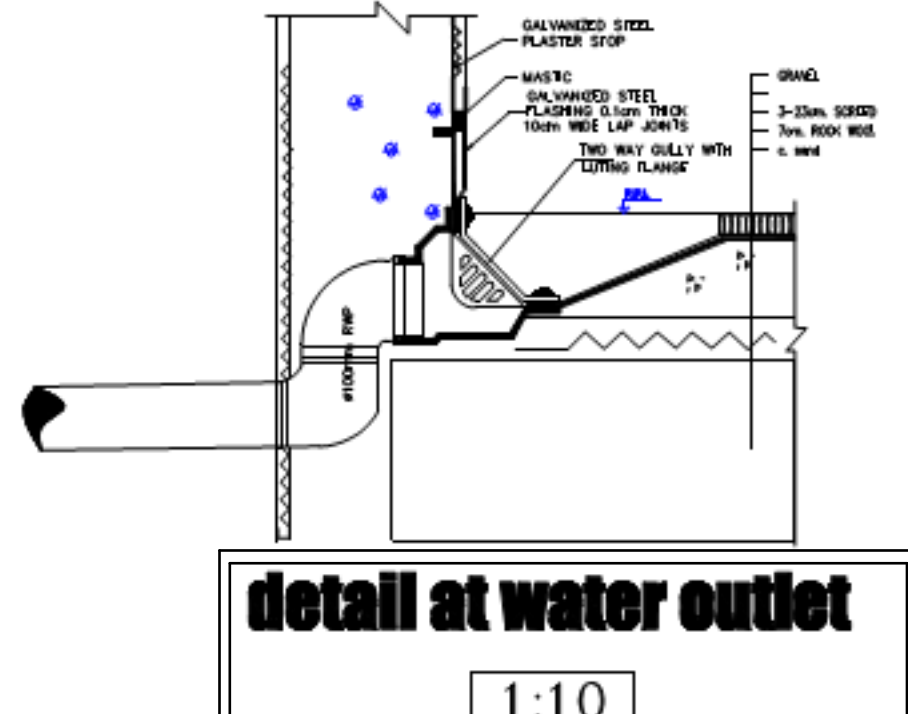
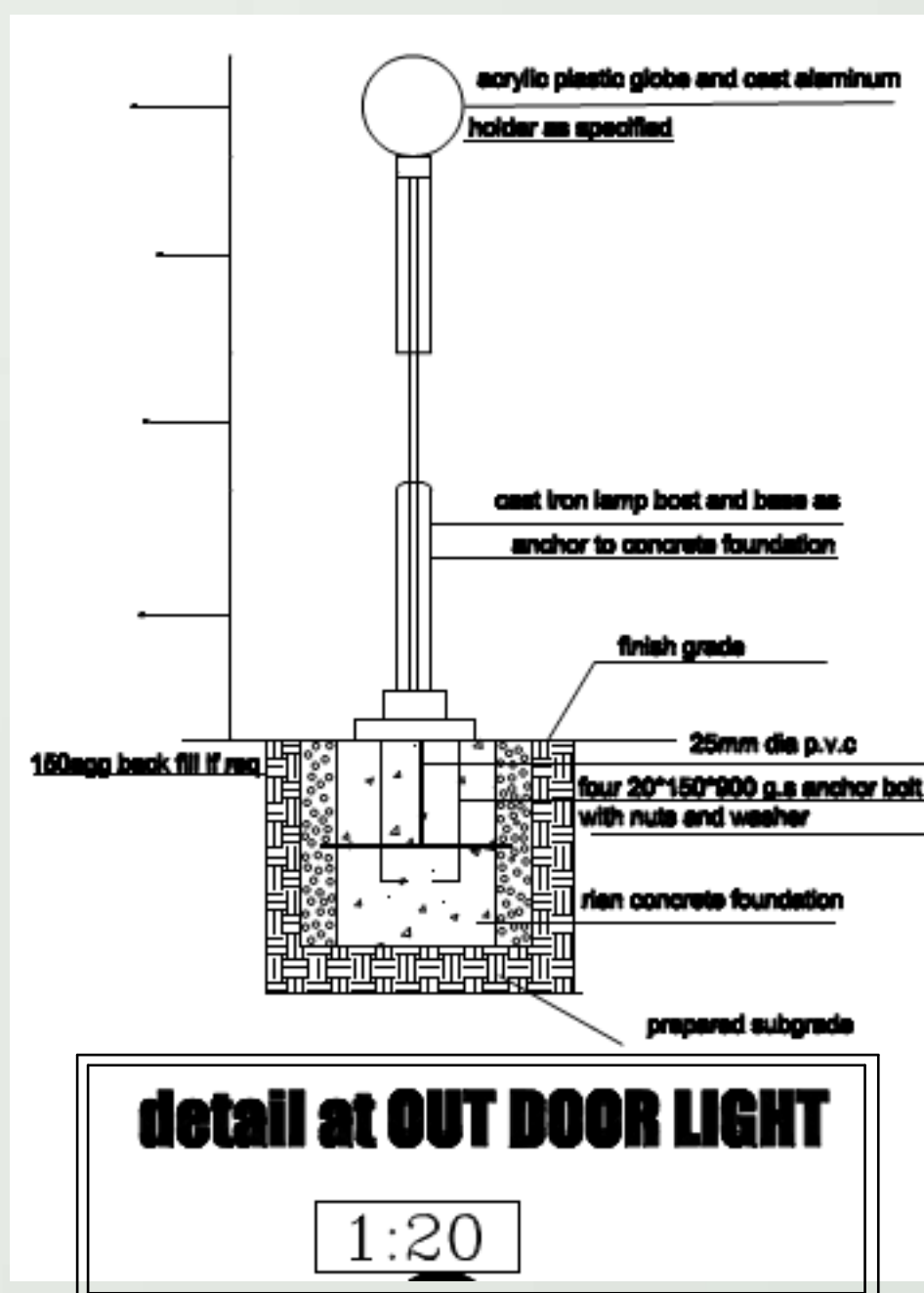


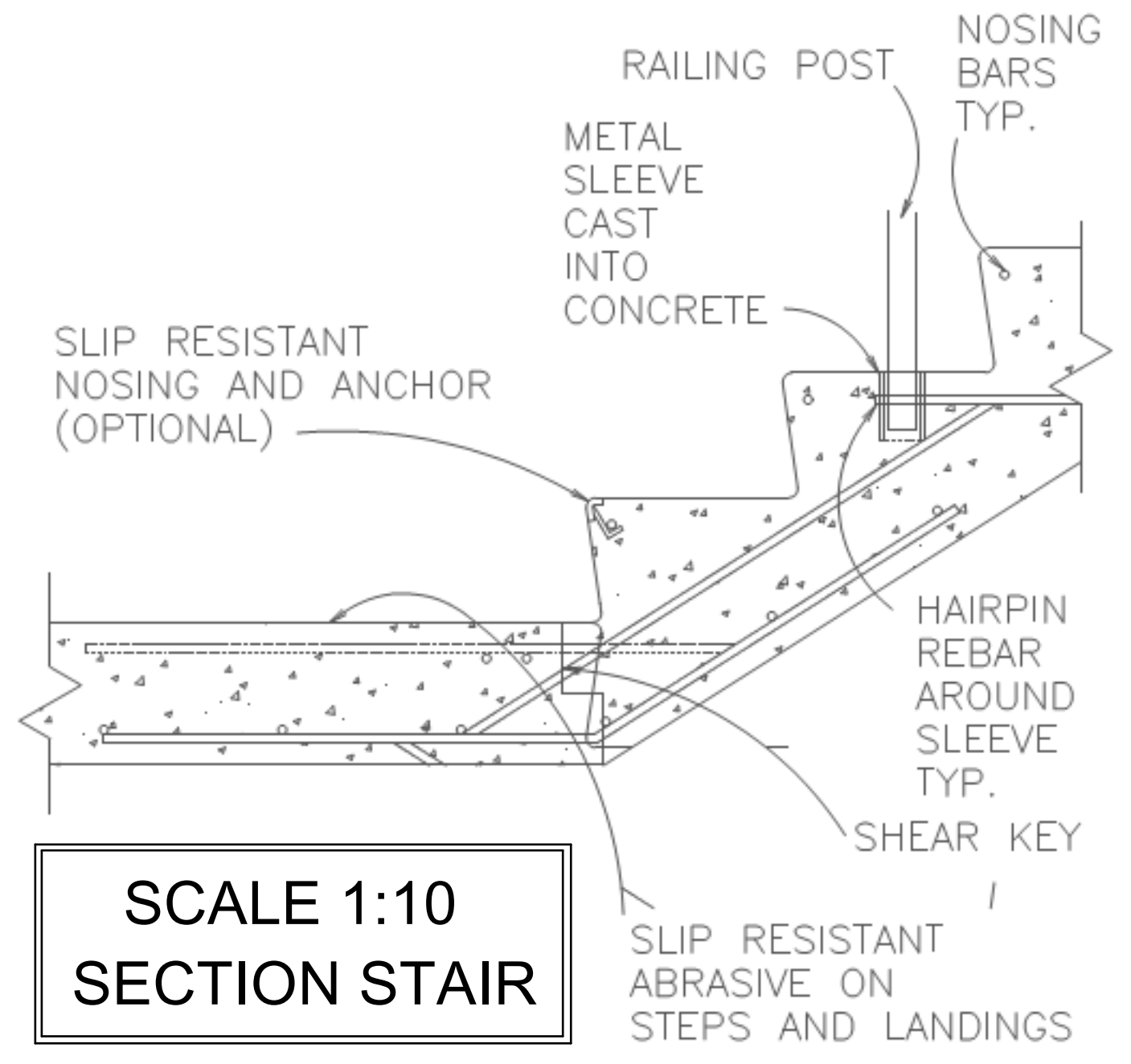
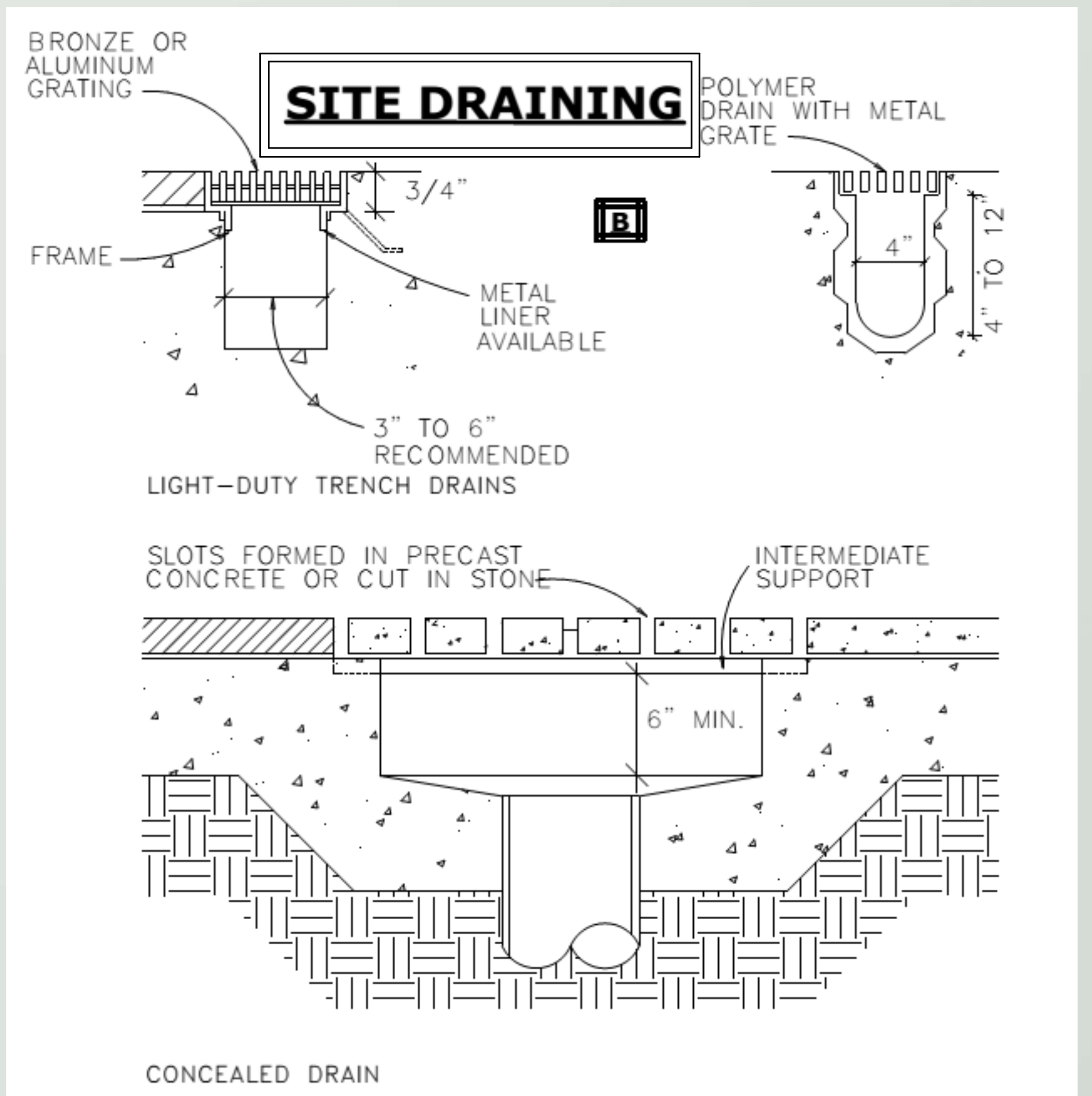
SPOT LIGHT DETAIL



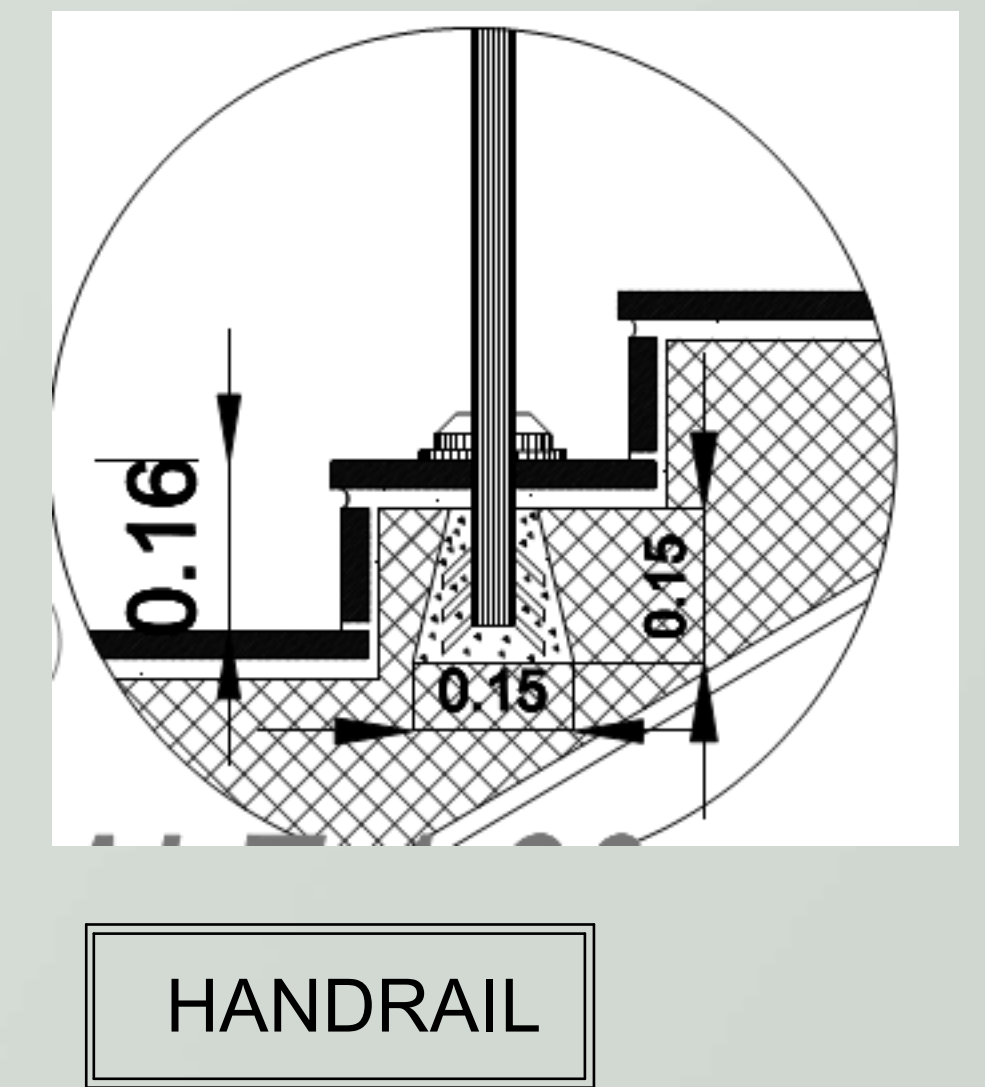
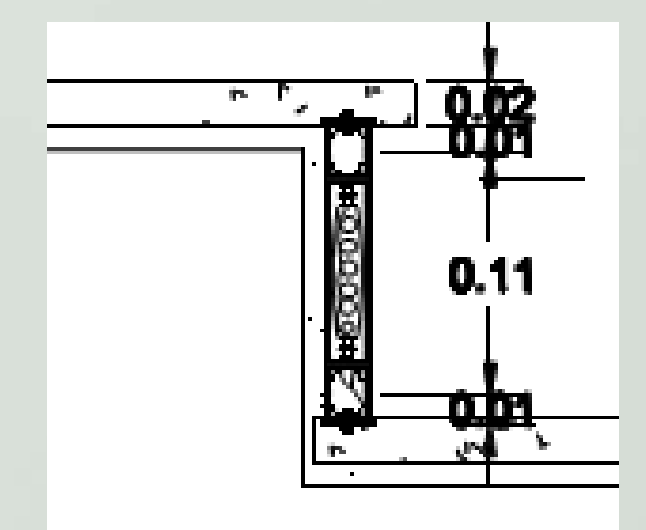
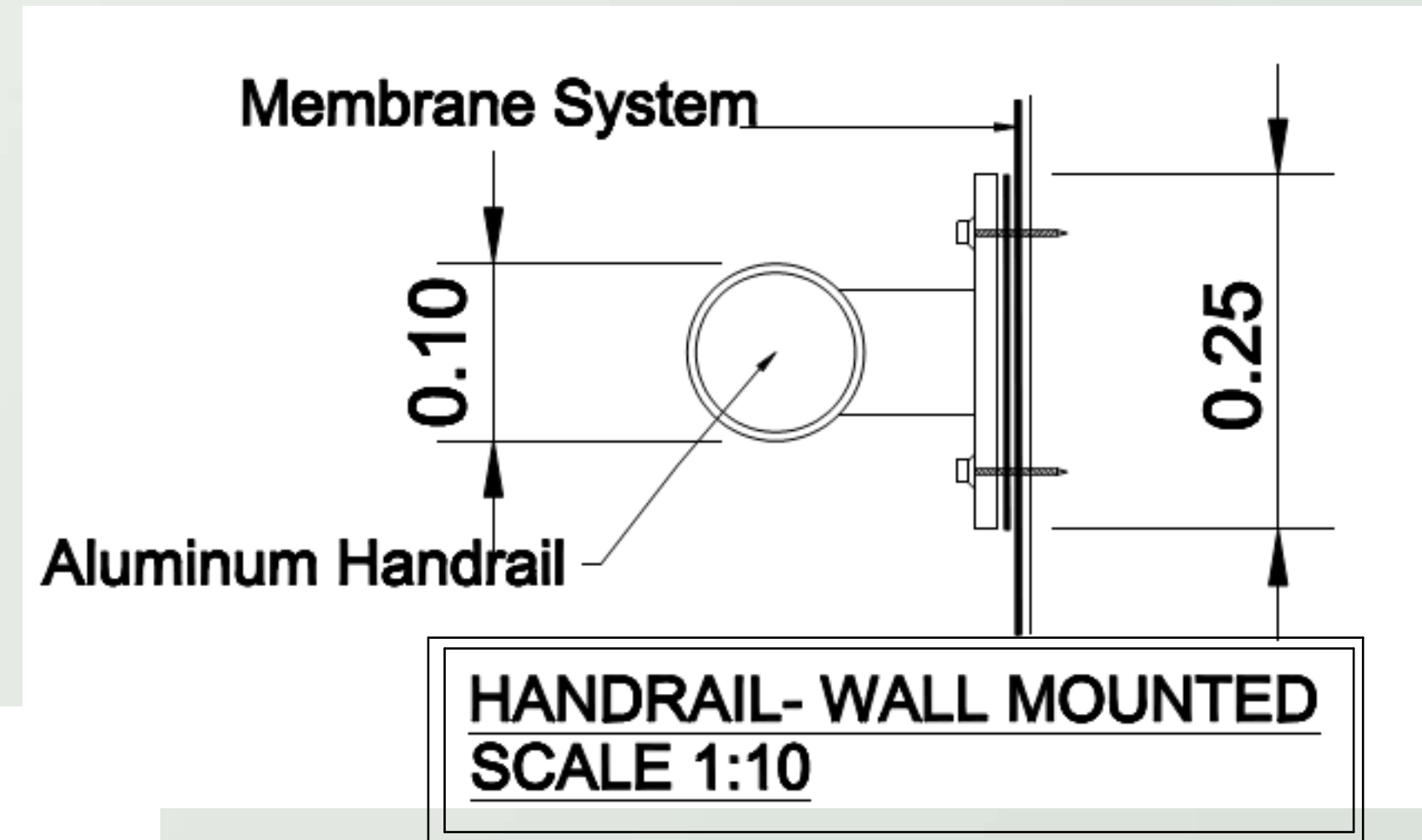
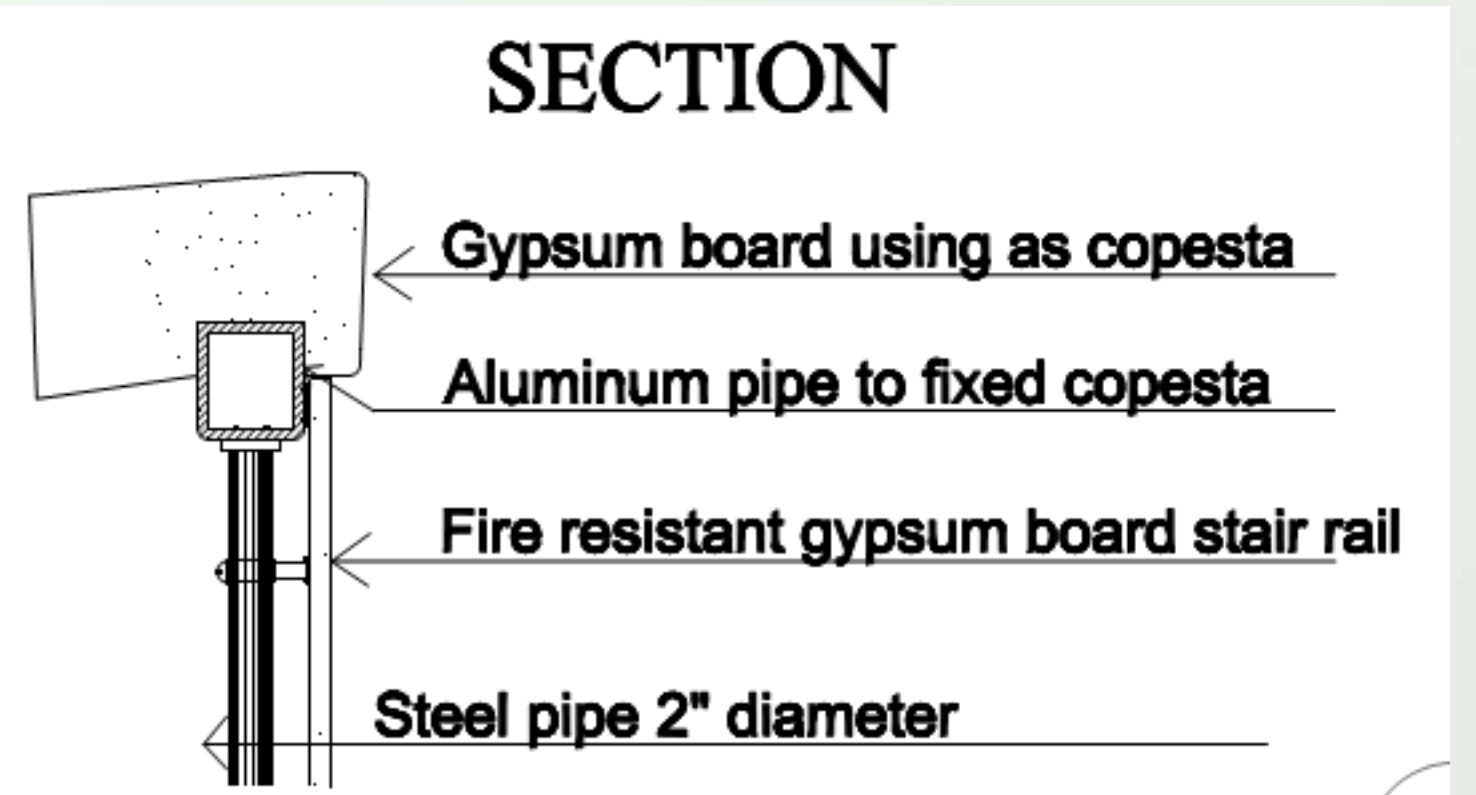
SPOT LIGHT DETAIL



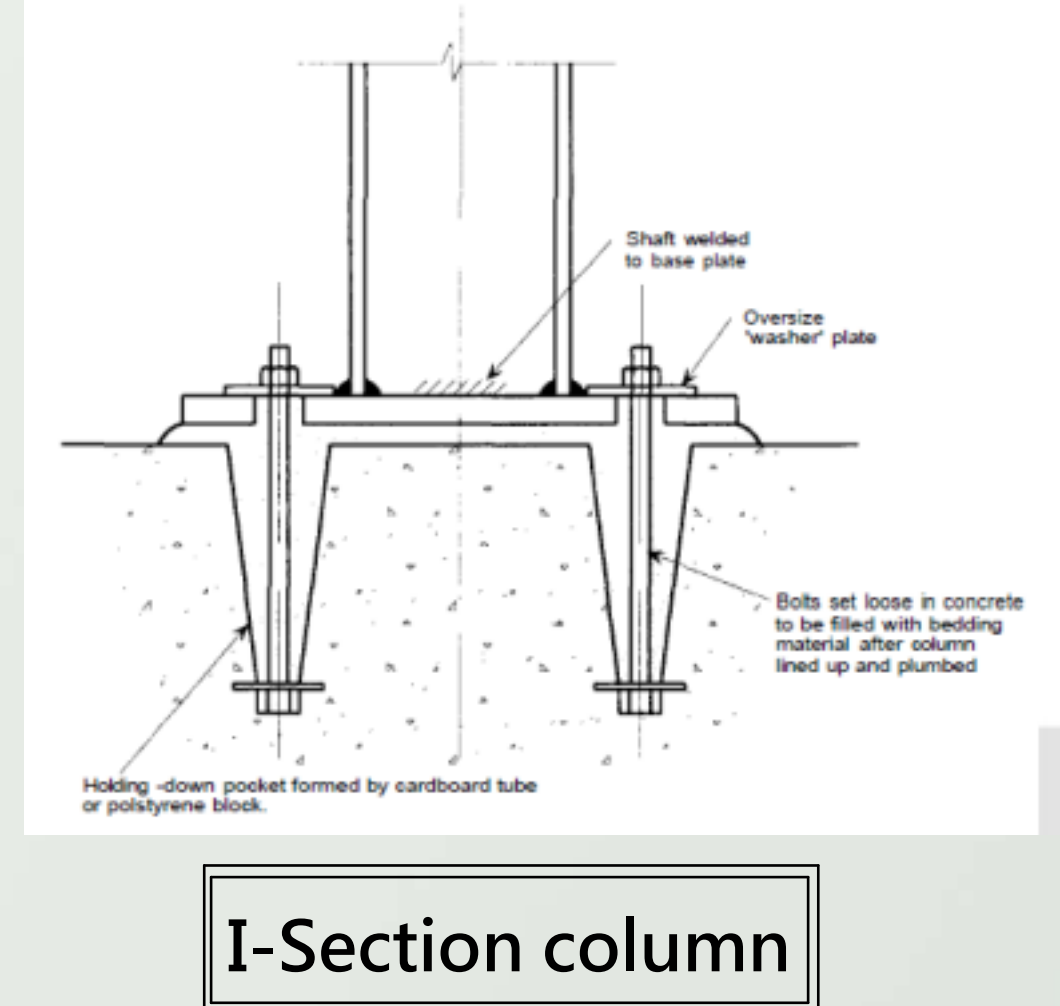
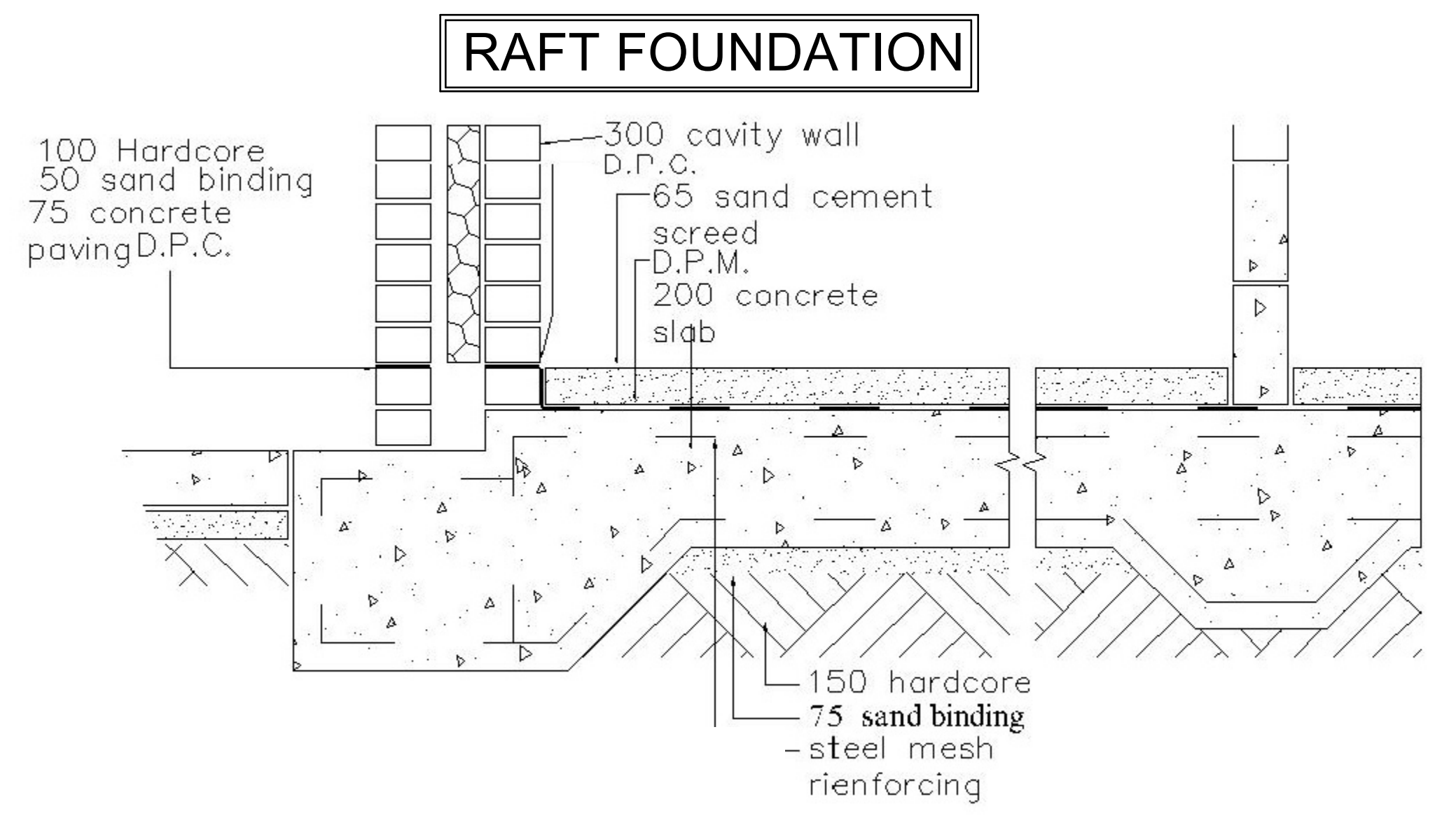
detail at OUT DOOR LIGHT



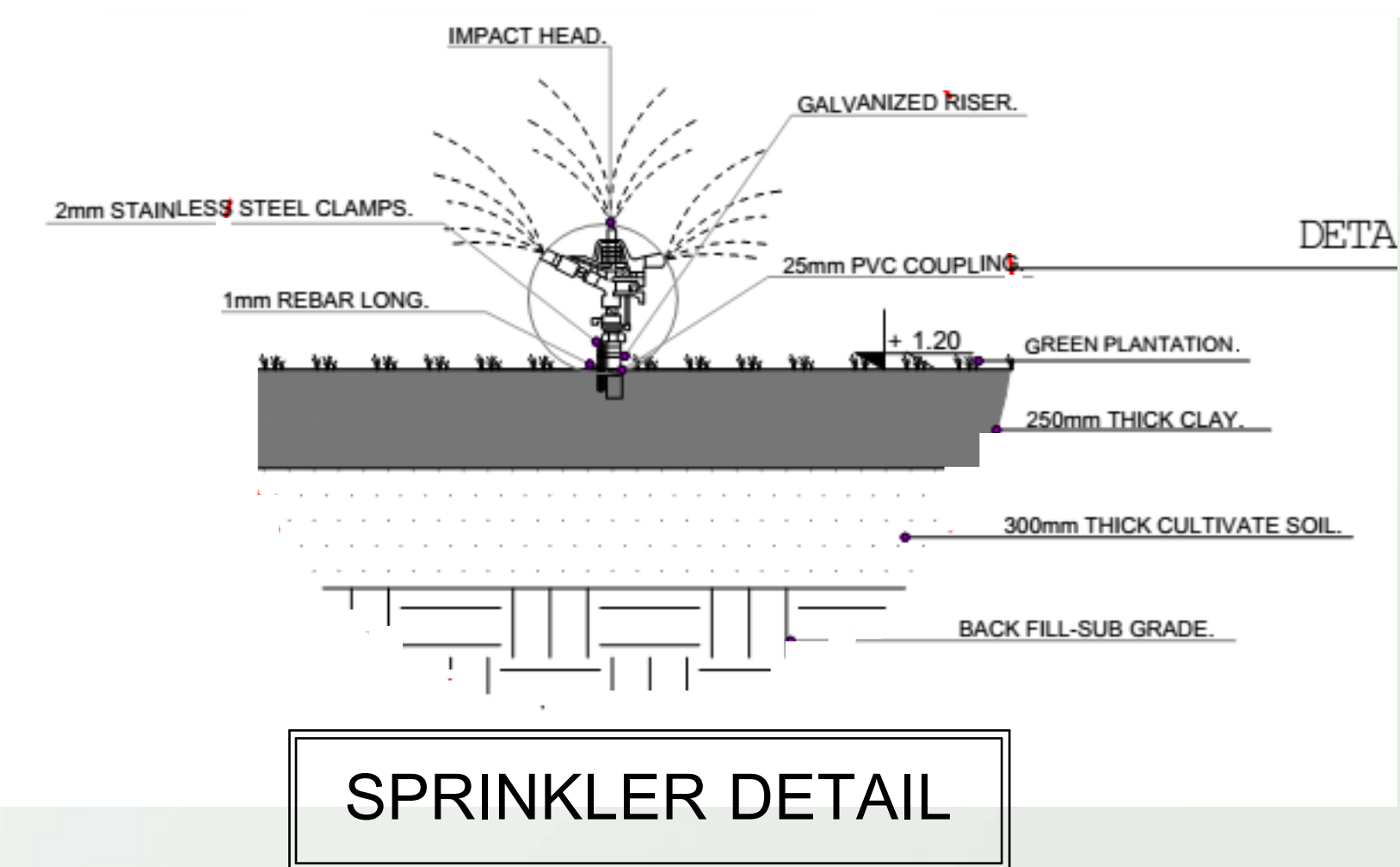
SCALE 1:10 SECTION STAIR



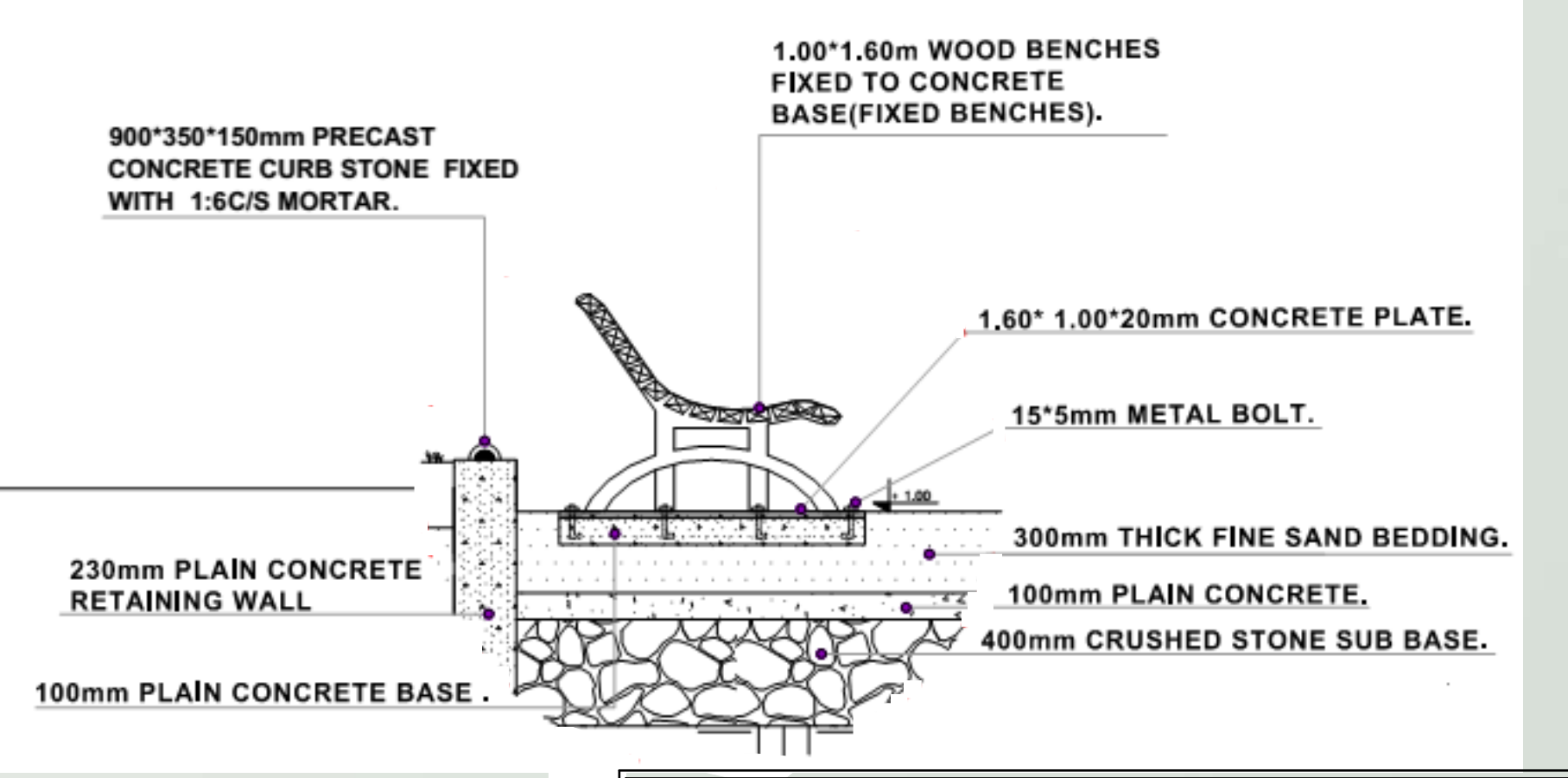
HANDRAIL



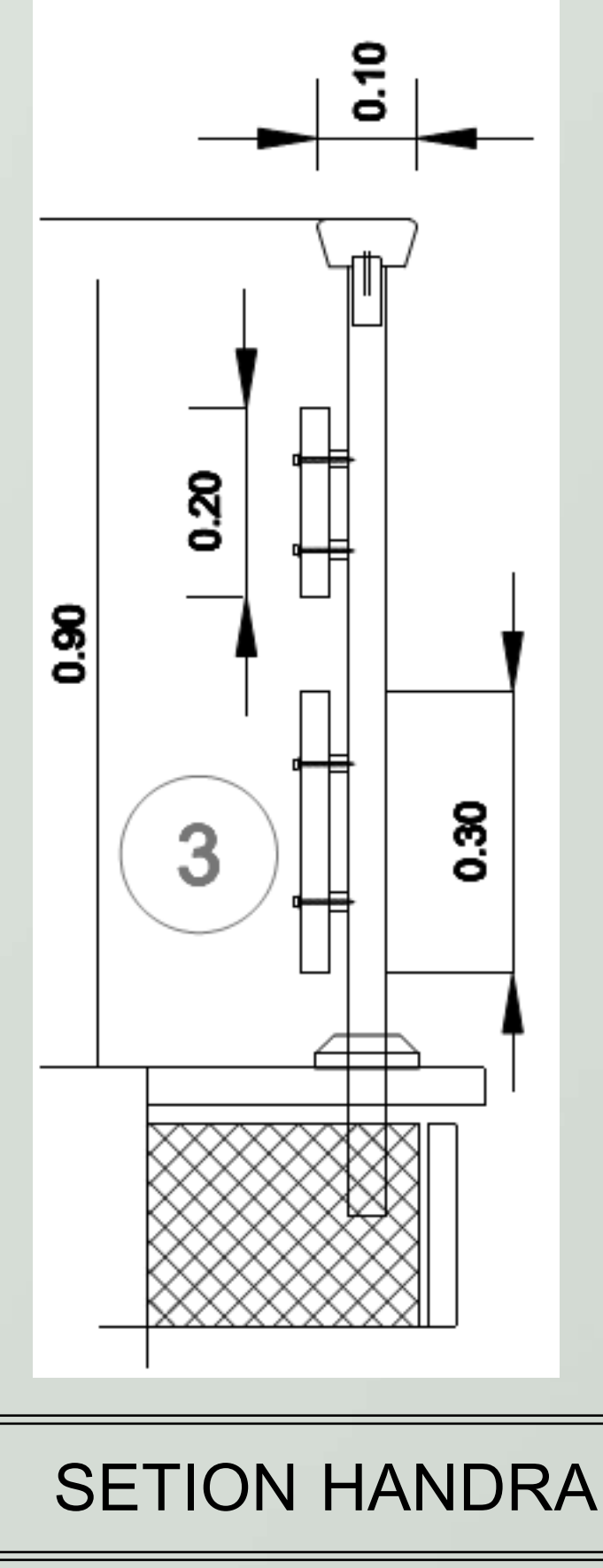
I-Section column



SPRINKLER DETAIL



BENCH FIXED TO THE FLOOR



SECTION HANDRAIL

Remarks:

All Dimensions in metric units

GENERAL DETAILS :

Sudan University of Science & Technology
College of Architecture & Planning
5th Year
Psychiatric Treatment Center
Working Drawing

Designed By : Ghada Ahmed Hashim
Supervision: Pr.Saoud Sadig

Scale : 1:400 Sheet No.21