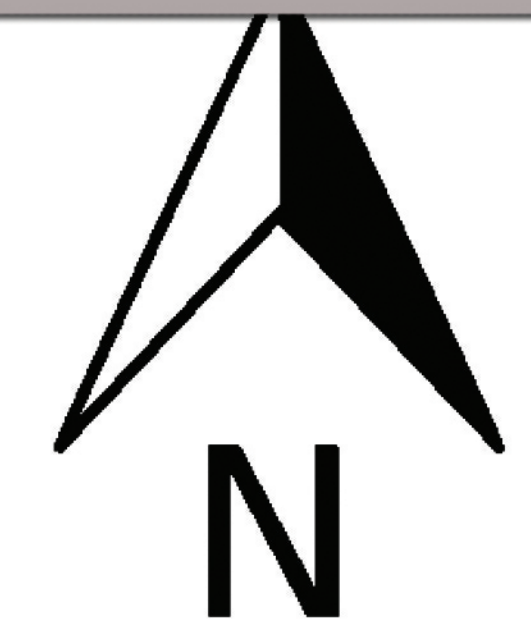


**part plan
scale 1:50**



FLOOR TABLE

CEILING NUM	CONTENTS
C1	20 - CM plain concrete SLAB -ALUMINIUM profile -Z SECTION PURLIN -I SECTION RIGID FRAME RAFTER -FALSE CEILING 60CM*60CM BOARDS (detail no.3)

FLOOR TABLE

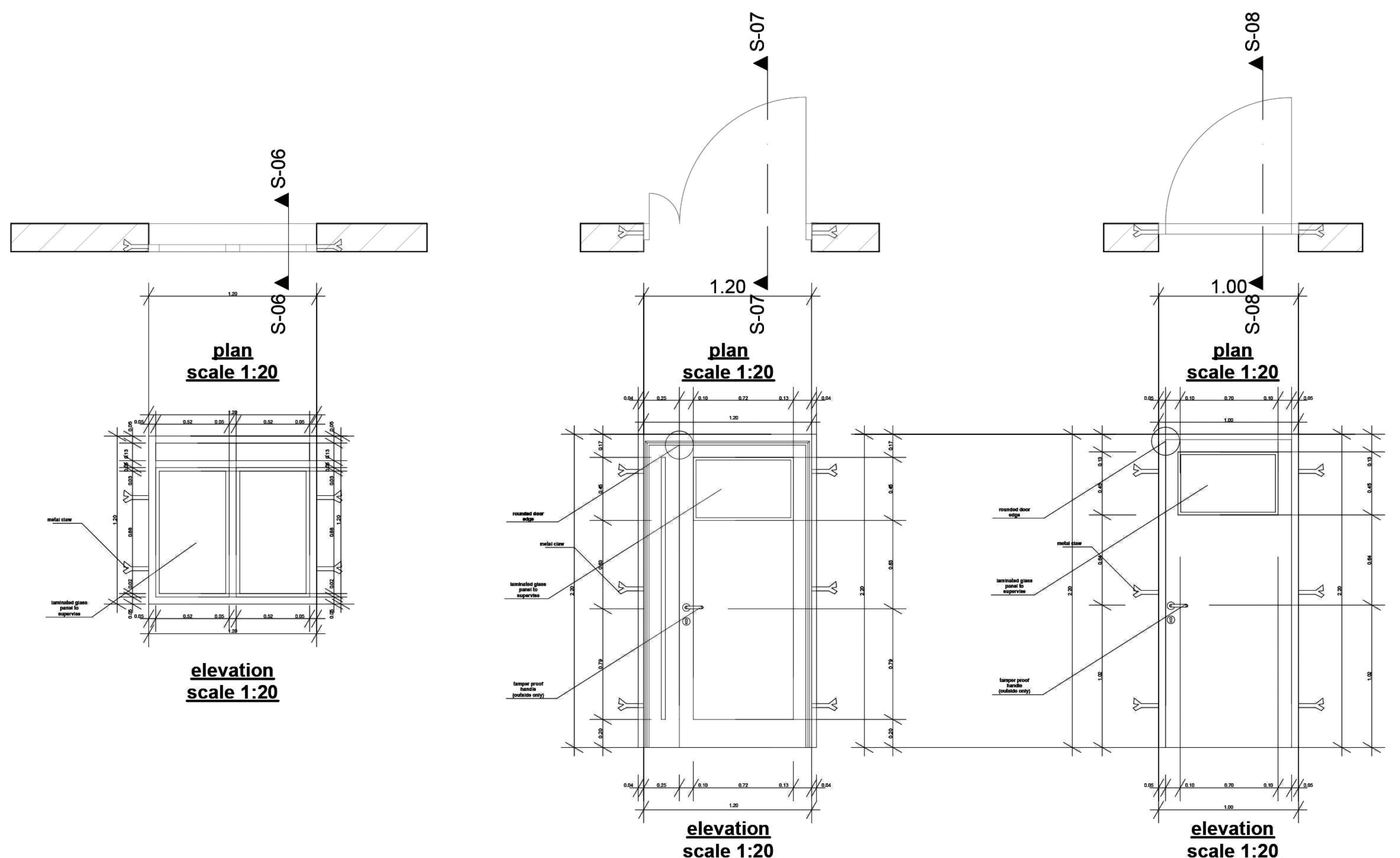
FLOOR NUM	CONTENTS
F1	0.5 - CLEOPATRA CERAMIC TILES 40 CM *40CM 2 - CM C/S MORTAR 20 - CM RFC FLAT SLAB

WINDOWS TABLE (detail no.2)

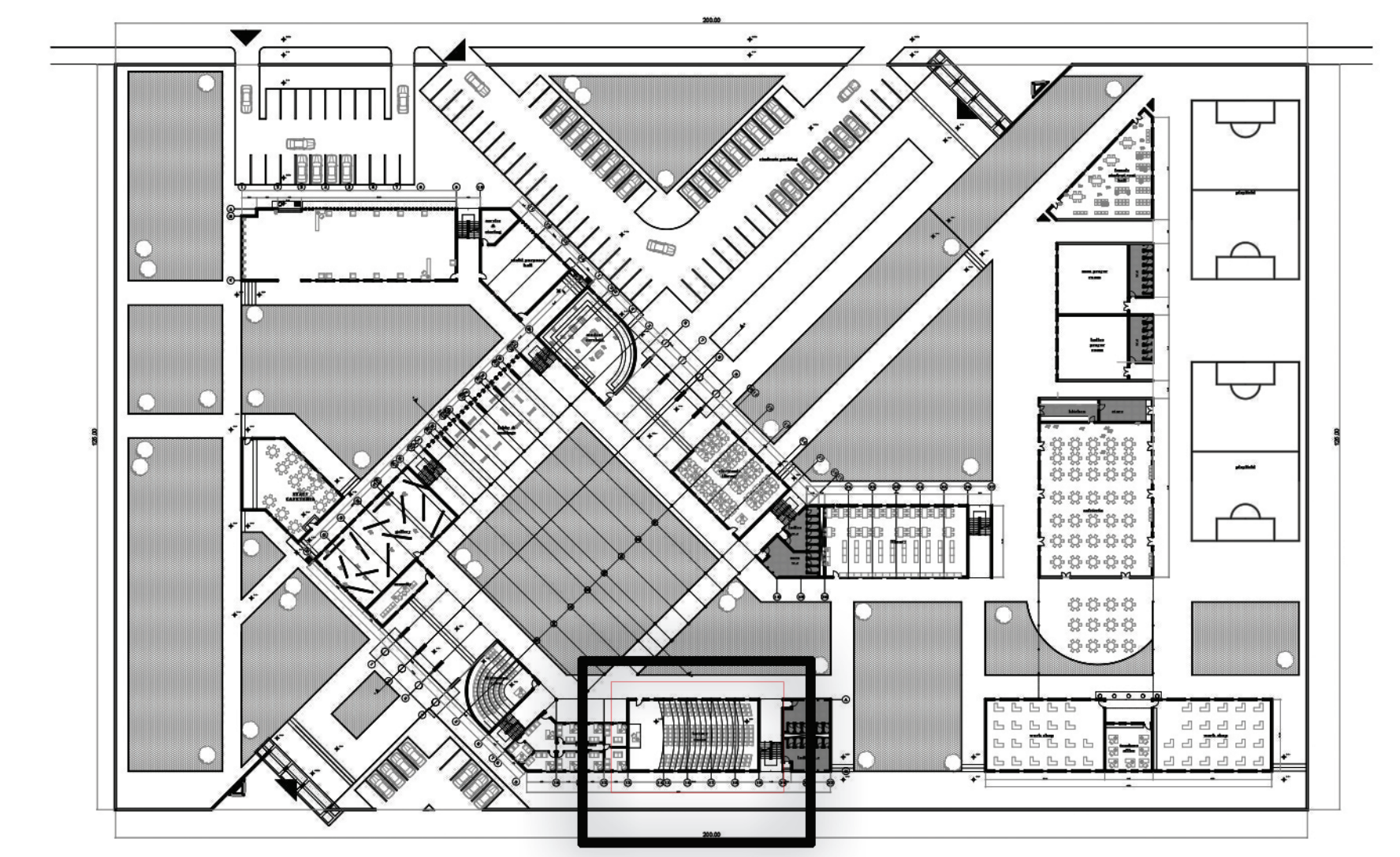
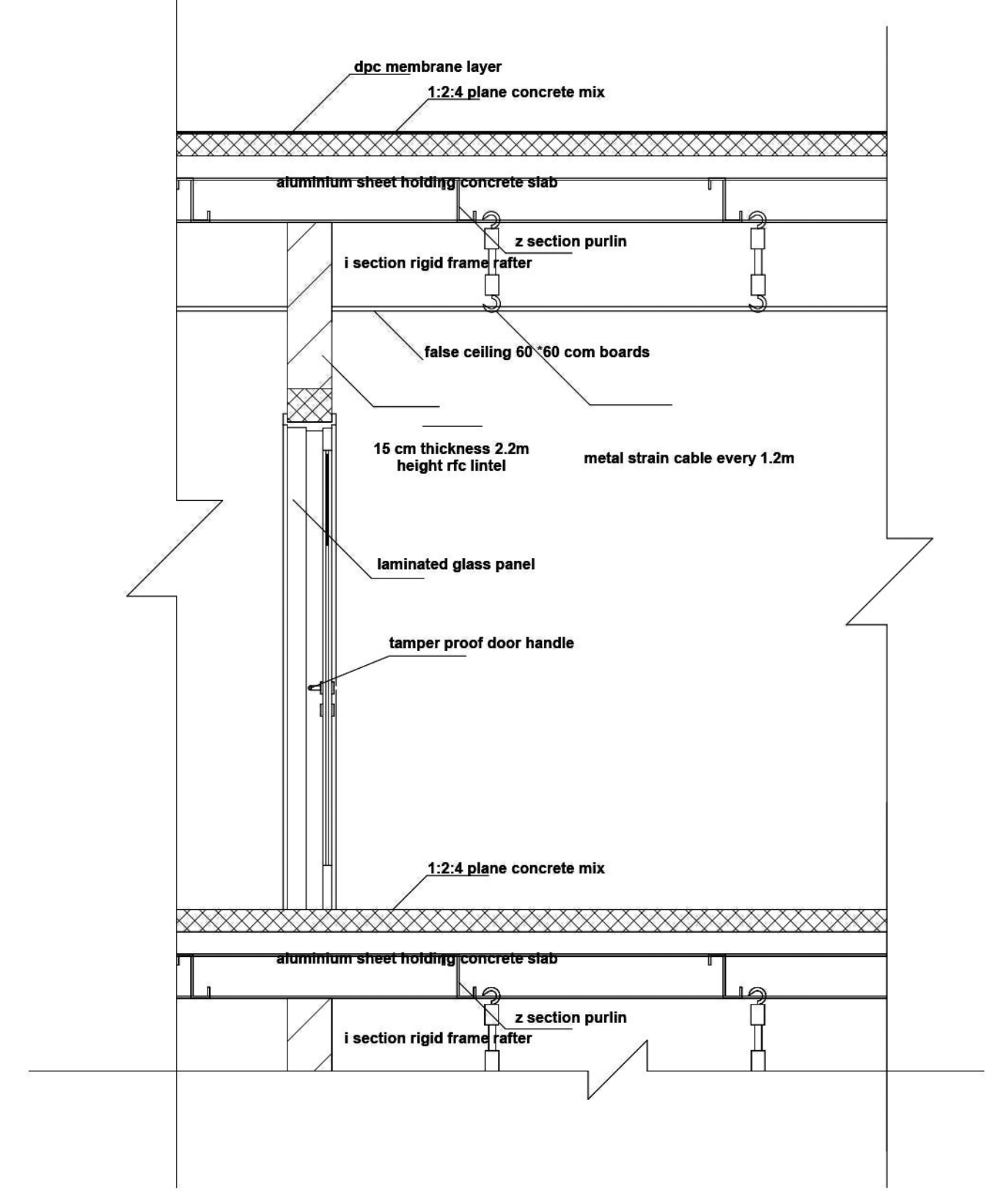
WINDOW NUM	DIMENSIONS			TYPE	MATERIAL
	HEIGHT	WIDTH	SELL HEIGHT		
W2	1.20	1.00	1.00	SLIDE OPENING	aluminium

DOORS TABLE (detail no.2)

DOOR NUM	DIMENSIONS		TYPE	MATERIAL
	HEIGHT	WIDTH		
D3	2.20	1.20	DOUBLE HINGED	aluminium



**doors & windows details
scale 1:50**



**key plan:ground floor plan
scale 1:1000**