



REMARKS

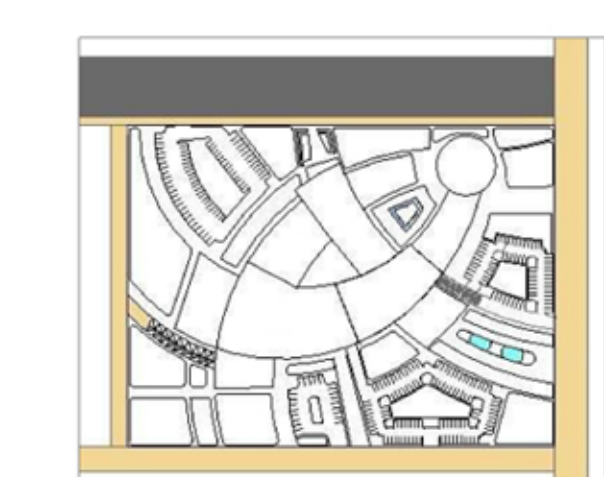
ALL DIMENSIONS IN METRIC UNITS

SEWAGE SYSTEM
 . ALL 6" PIPES SLOPE IS1:80 -
 . ALL 4" PIPES SLOPE IS1:40 -
 . USE P.V.C PIPES -
 . HORIZONTALLY & VERTICALLY

DRAINAGE SYSTEM
 . ROOF SLOPE IS1:20 -
 . ALL DOWN PIPES ARE 4" P.V.C -
 . PIPES @ 3M C/C
 . USE DOWN PIPES TO -
 . IRRIGATE LAWNS

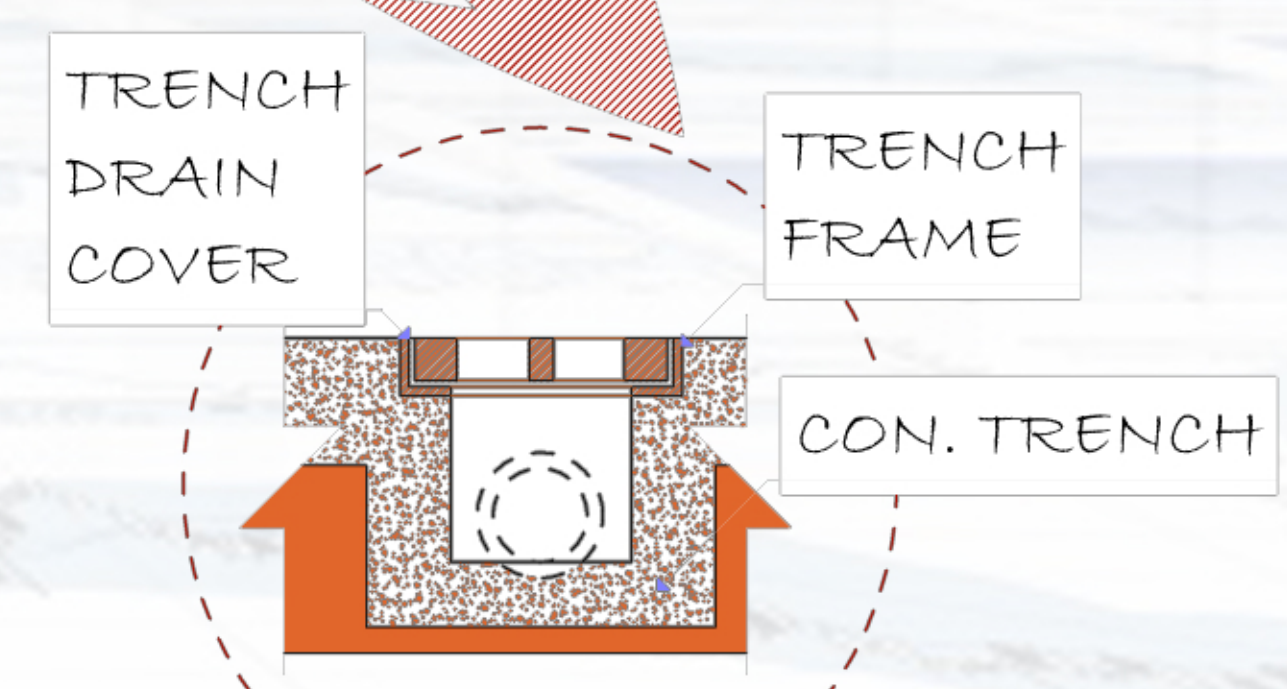
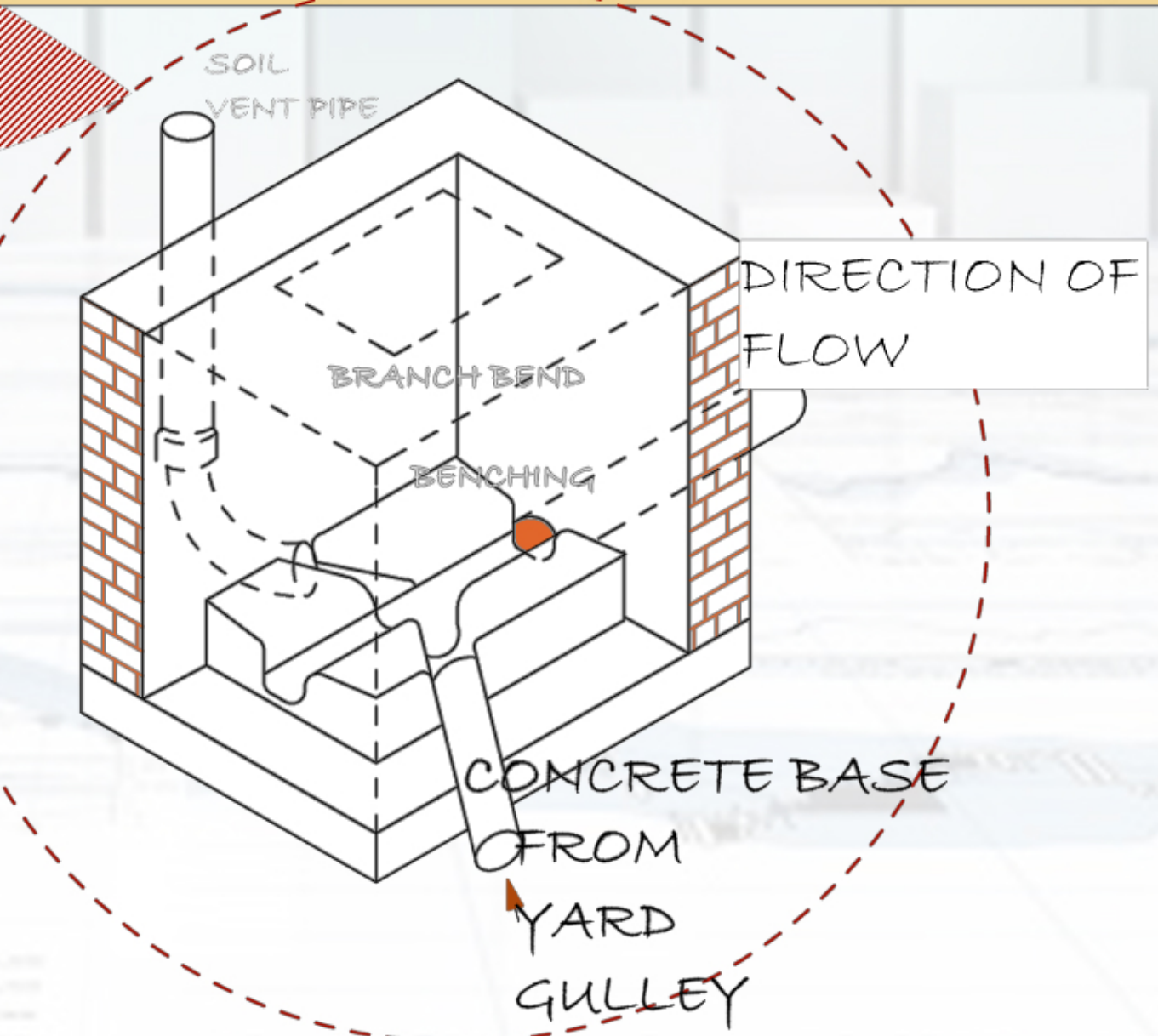
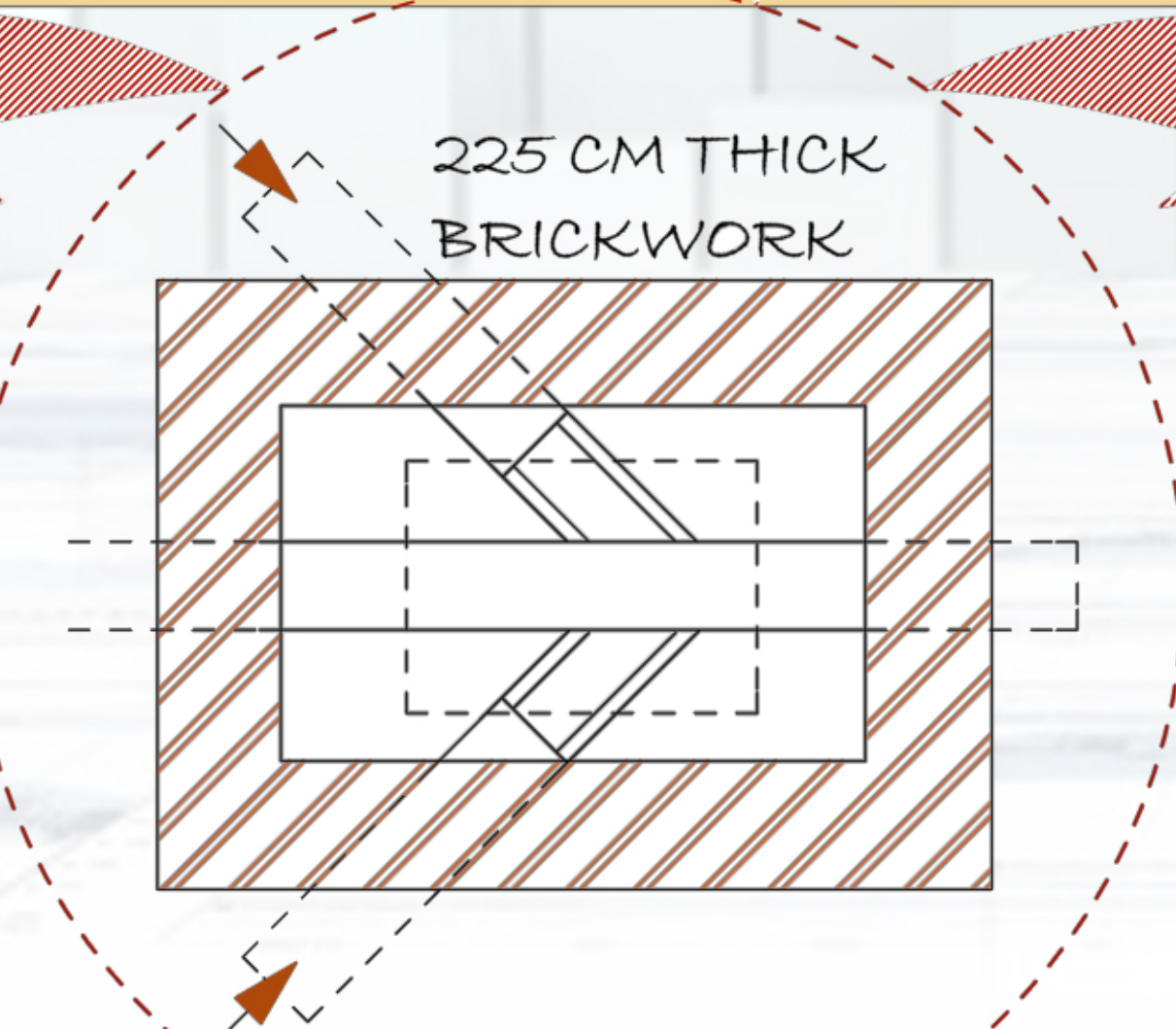
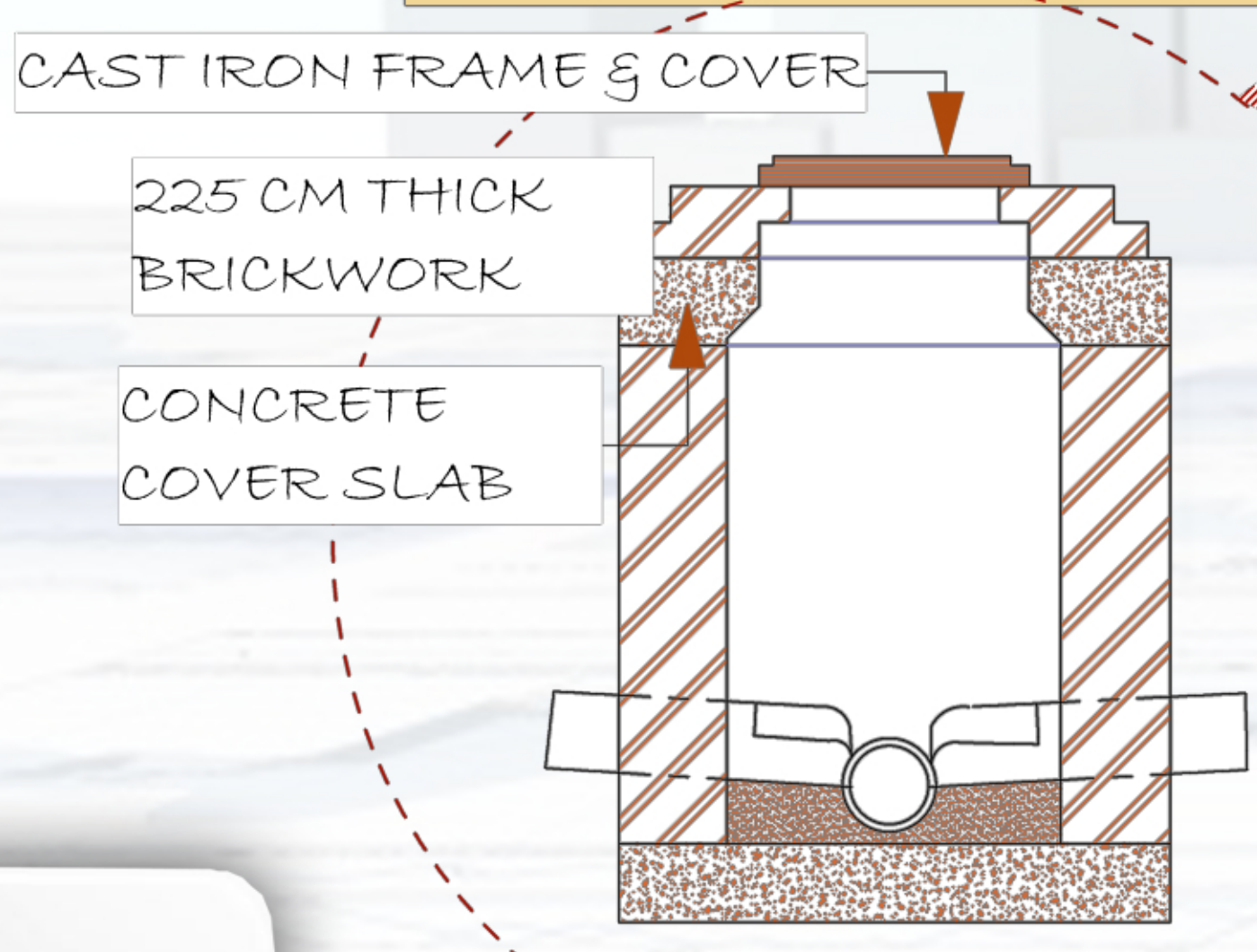
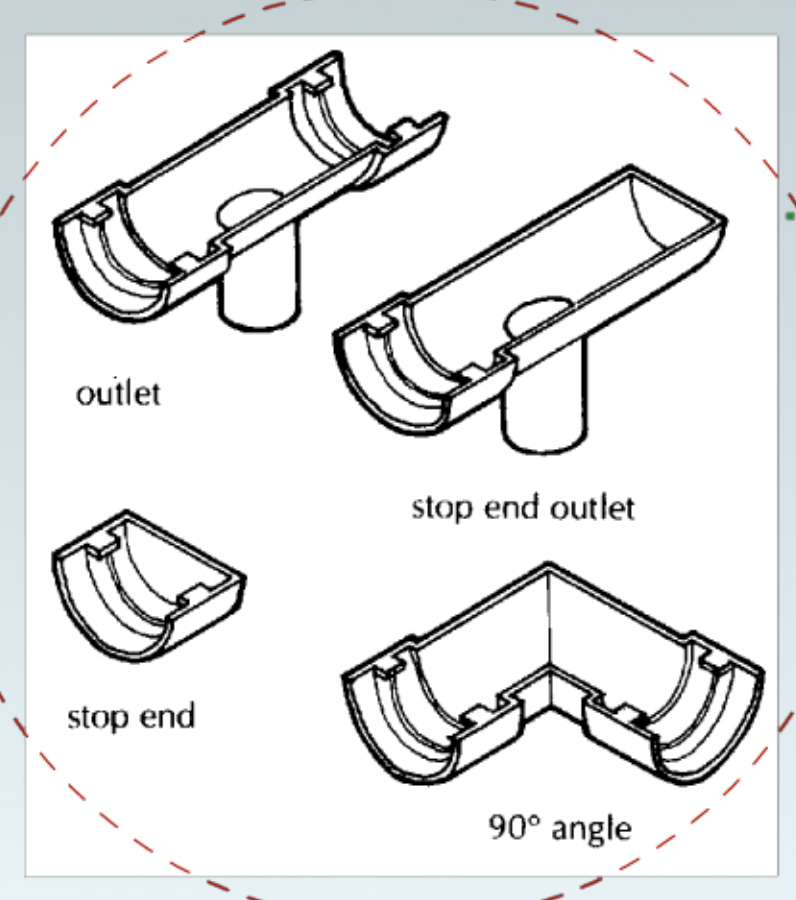
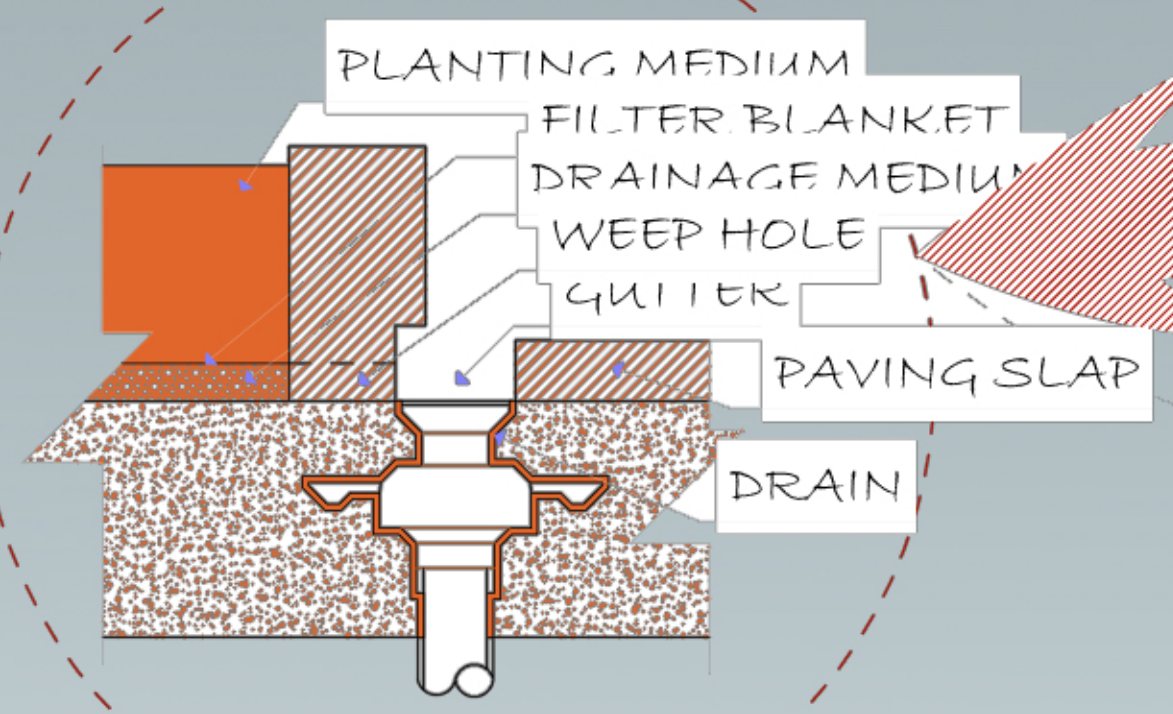
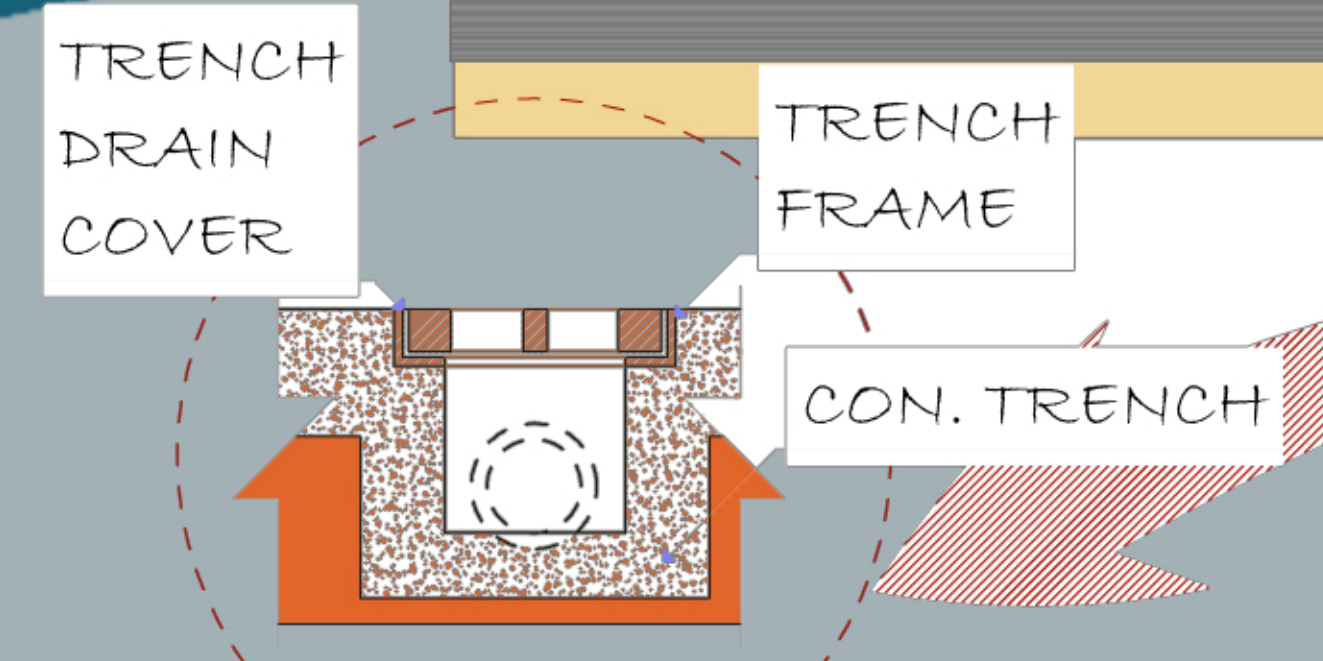
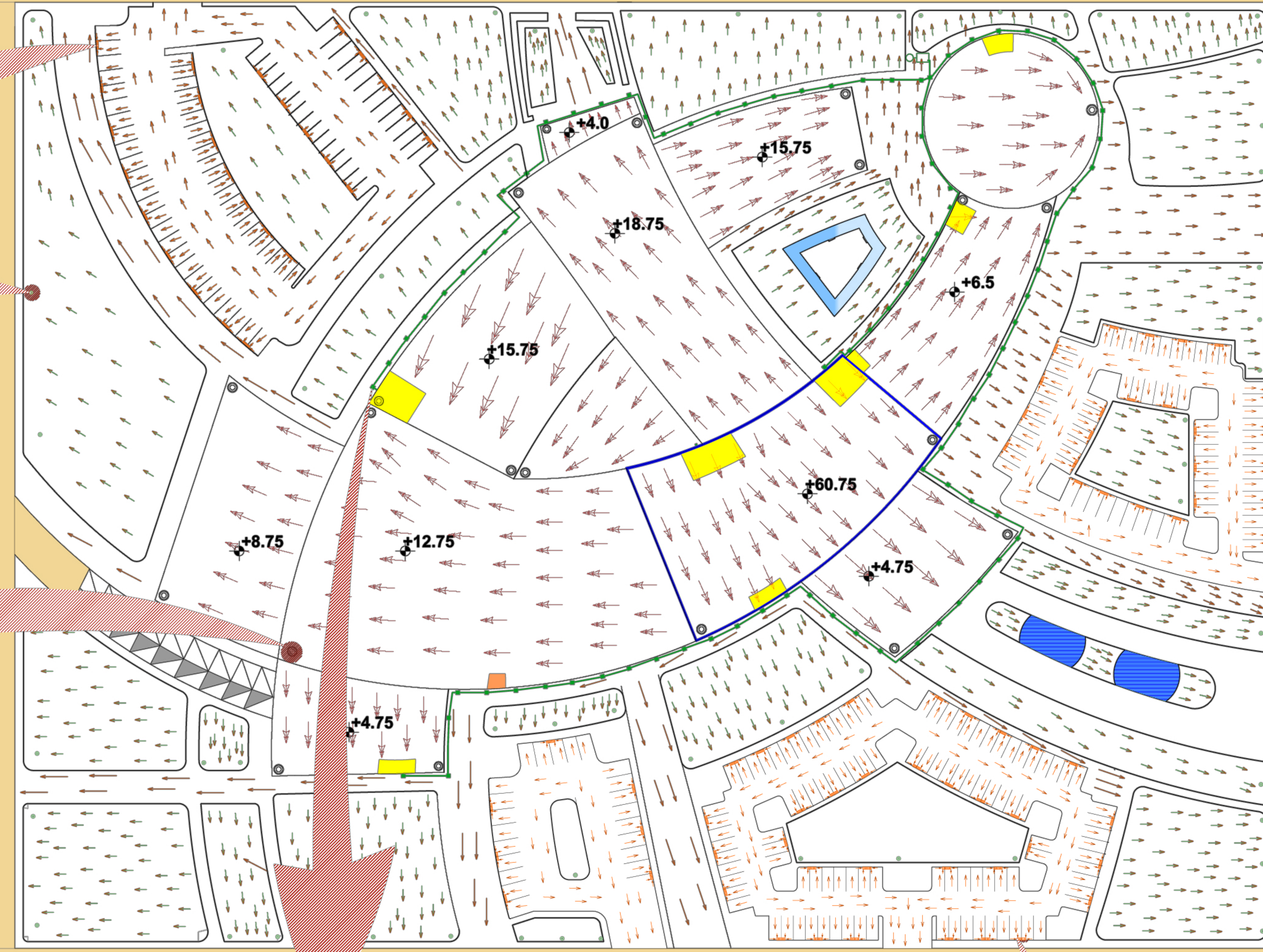
SYMBOL	DESCRIPTION
	" MAIN PIPE 6"
	"SUB . PIPE 4"
	MANHOLE
	DOWN PIPE
	DRAINAGE SLOP FOR BUILDING
	DRAINAGE SLOP FOR PARKING
	DRAINAGE SLOP FOR GRASS

KEY PLAN



SUST
 FACULTY OF ARCHITECTURE
 FADWA ALHASSAN ATTA
 ALMNNAN

WATER & ELECTRICITY
 SUPPLY
 1:500



مبنى استثماري تجاري إداري

اعداد الطالبة : فدوى الحسن

الموقع العام - الصرف الصحي والسطحي

مقياس الرسم 1:500