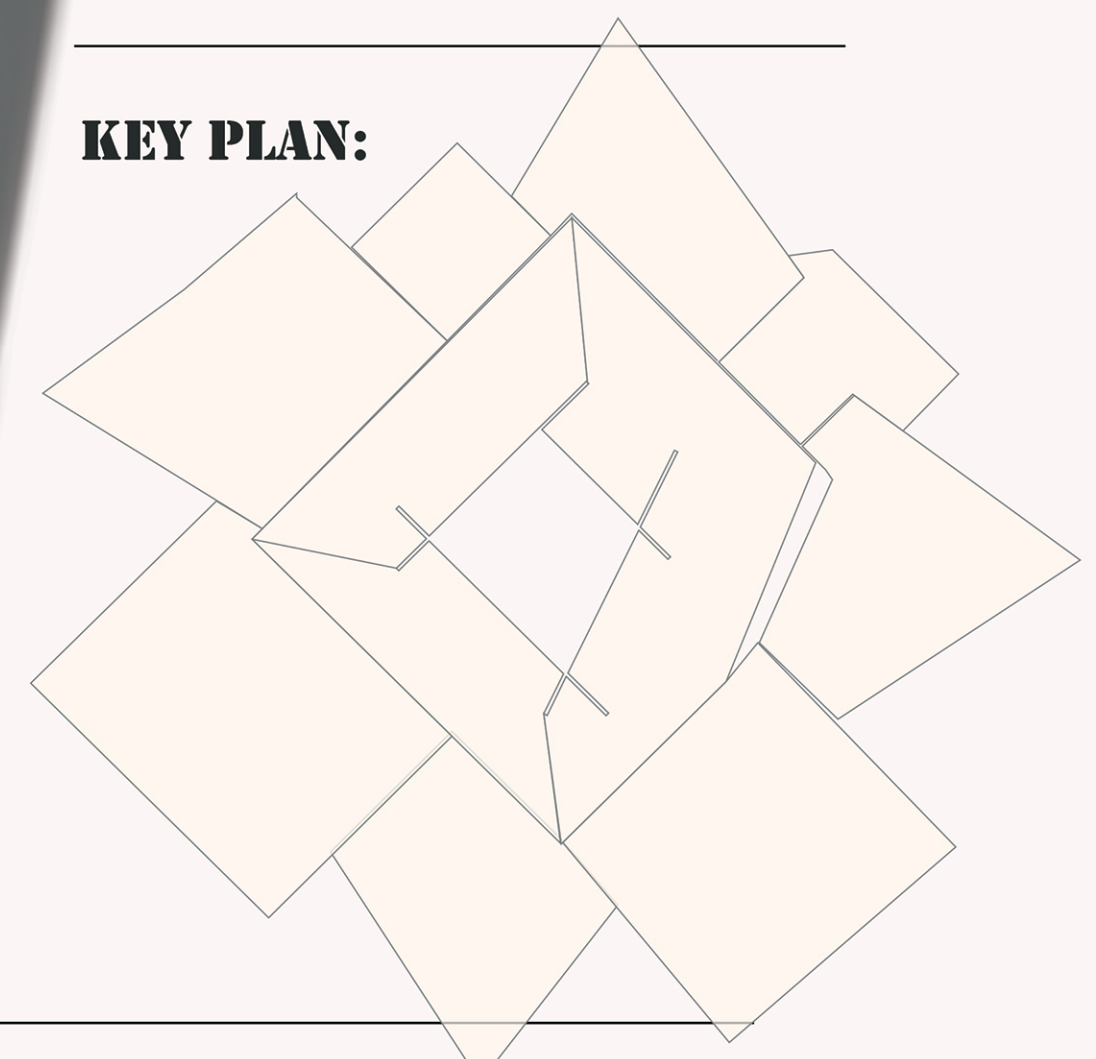


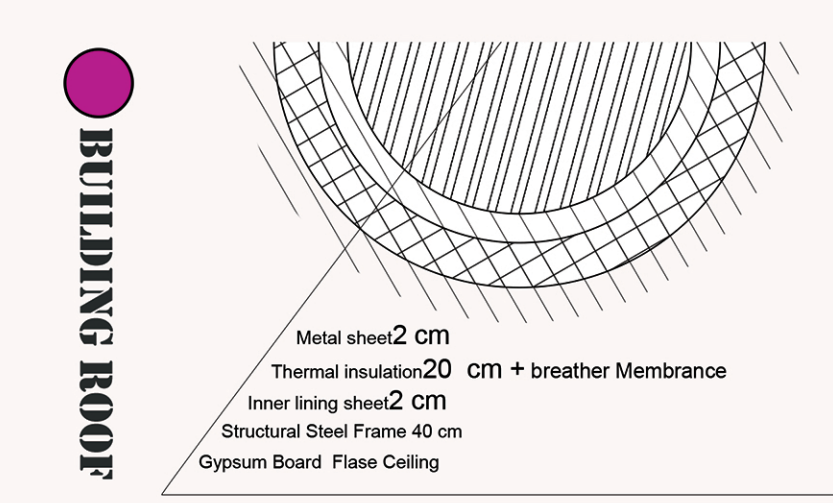
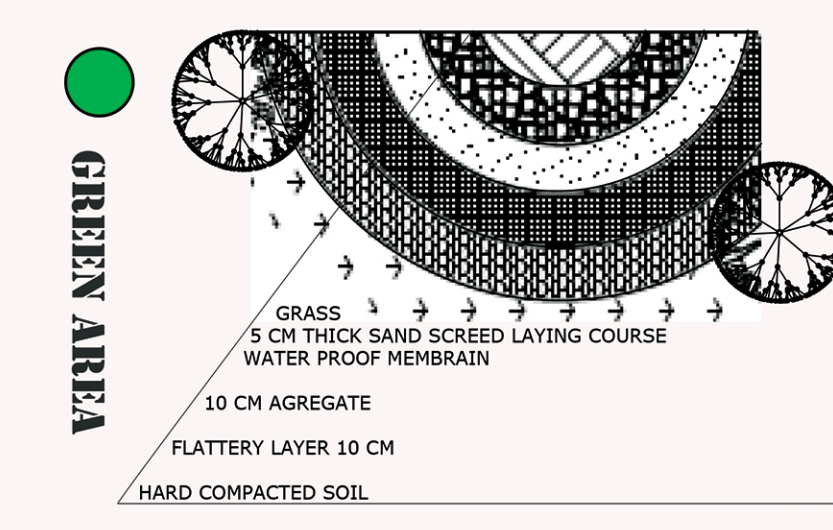
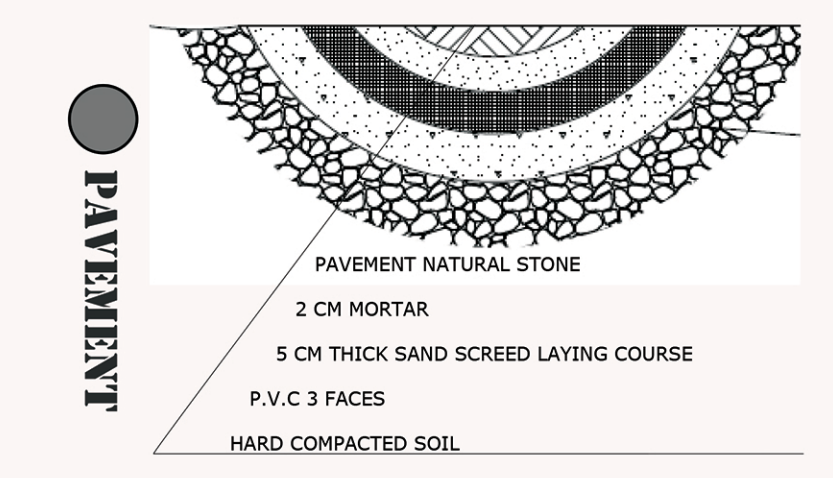
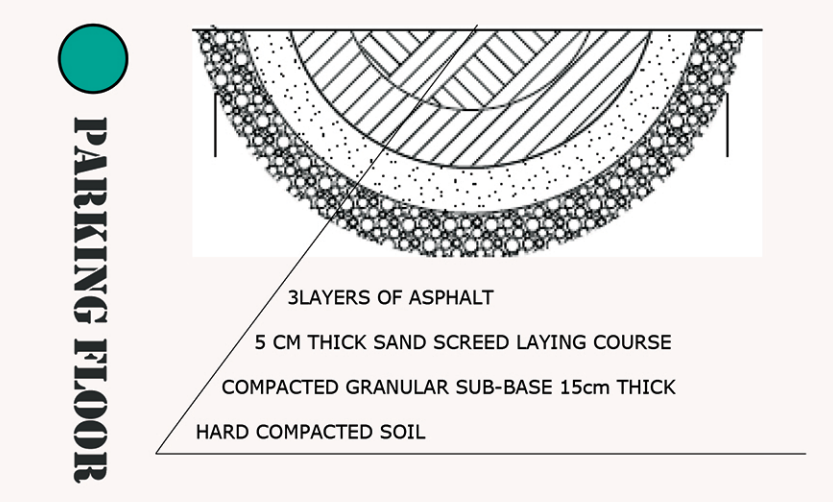
NOTE:
All Dimensions are in Metric System (Meters).

REMARKS:



Sudan University of Science
and Technology
College of Architecture and Urban Planning
Reem Sanhoori Mohammed
Safhairoon
House of Architecture:

Site Treatment:
Dimensions and Hatching
1:500



-Skylight panels sheeting

