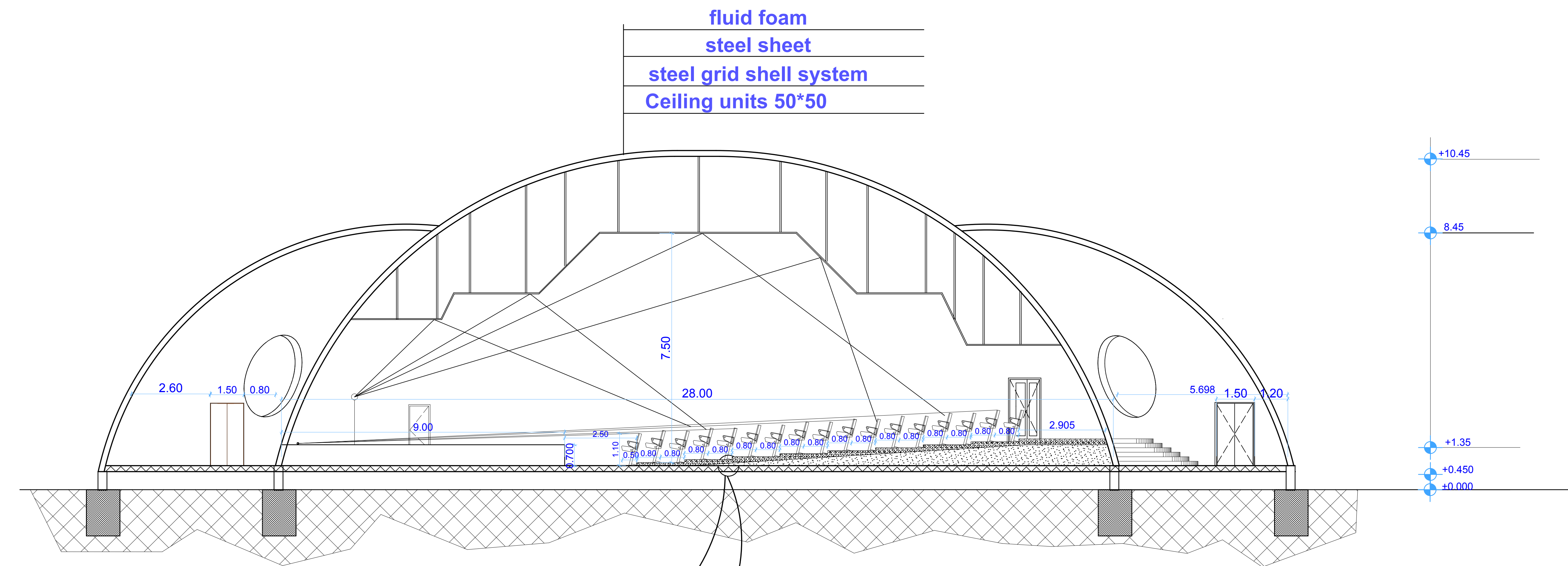


REMARKS

ALL Dimensions by Metric units

SPECIFICATIONNS	THICKNESS	WIDTH	LENGTH	symbol
WOODEN -TWO SIDE	0.04	2.8	2.2	(W1)
WOODEN -TWO SIDE	0.04	1.5	2.2	(W2)
WOODEN -ONE SIDE	0.04	0.9	2.2	(W3)
ALUMINUM	0.04	0.8	2.2	(W4)
WOODEN -TWO SIDE	0.02	0.7	2.2	(W5)

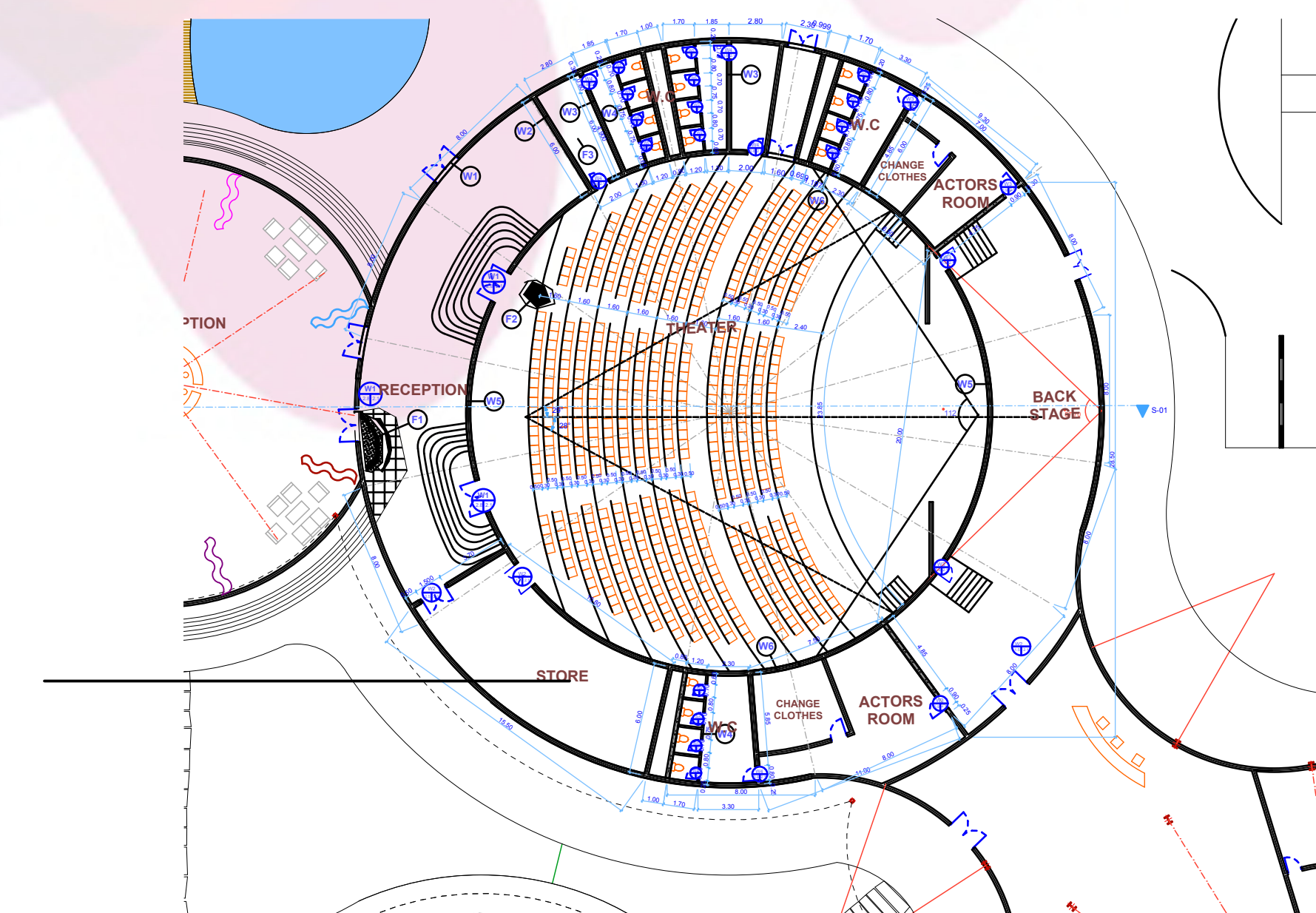
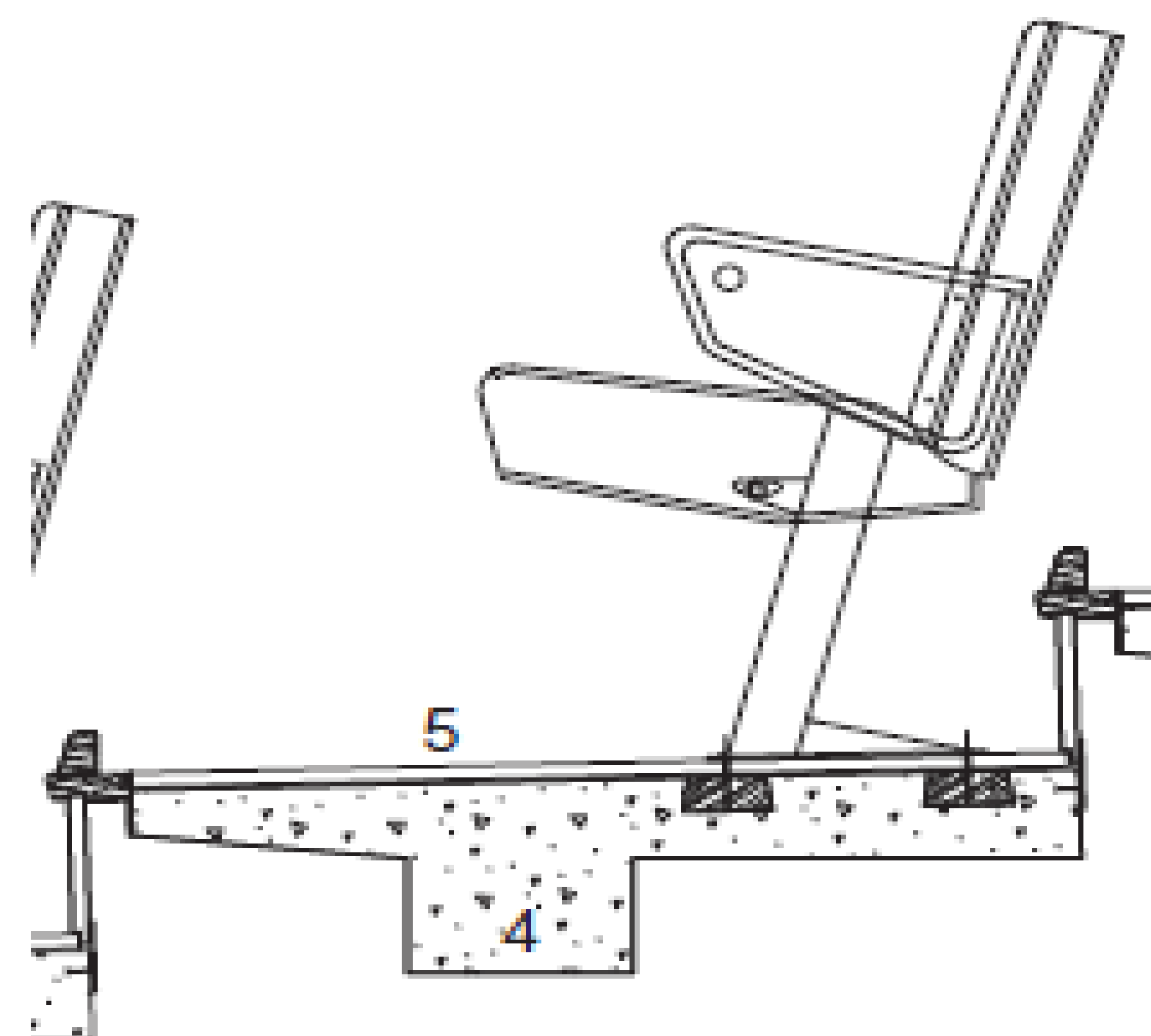
SPECIFICATIONNS	symbol
CEILING	
suspended ceiling from gypsum 50*50	C1
steel gridshell	.2
steel shell	.3
fluid foam	.4
FLOORING	
steel space frame	.1
concrete slab deck	.2
D.P.C 2face	.3
cement mortar 1:4	.4
50*50*.2 cm vinyl tiles	.5
steel space frame	.1
reinforced concrete 1:2:4 for steps	.2
cement mortar 1:4 2cm	.3
ceramics 40*40*0.2	.4
adhesive	.5
carpet	.6
WALLS	
fluid foam	.1
steel shell	.2
steel gridshell	.3
steel shell	.4
aluminum panel	.5
paint 3layers	.1
plaster 1:4 3layers	.2
brick-red 20cm	.3
adhesive	.4
ceramics 30*20*0.1	.5
brick-red 20cm	.1
adhesive	.2
ceramics 30*20*0.1	.3
stainless steel	W4
brick-red 20cm	.1
rock wool	.2
air space 1cm	.3
gypsum board sheets 13mm	.4
sponge absorbent for sound	.5
cloth to cover	.6
brick-red 20cm	.1
wooden membrane 18*18	.2
timber lining 47*82mm sollt elm	.3
strips with curved sound diffusing and glued to ply backing	.4



PART SECTION

SCALE 1:75

THEATER



key plan

PART SECTION

SCALE 1:75

SUDAN UNIVERSITY OF SCIENCE AND TECHNOLOGY
 COLLEGE OF ARCHITECTURE AND PLANING
 5th YEAR BACHELOR
 ISRA MOHAMMED HASSAN ALI
 PROJECT: CHILDREN SCIENCE CLUB
 THEATER
 SCALE 1:75