

NOTE :-
ALL DIMENSION IN METRIC

FINISHING:-

1 ROOF:-

- CEMENT TILES 30*30*2 CM
- CEMENT MORTAR THICK 2CM
- KHAFGY 7-15CM
- D.P.C 2 LAYER
- METAL ROOF DECKING
- STEEL BEAM
- STEEL GIRDER
- GYPNUM BOARD

WALL:-

ONE BRICK WALL PLASTERED BOTH SIDES
OFF WHITE PAINT 2COAT FOR FINISH
(VARNISH PAINT)

3 GARDEN:

- PLANT & ENGLISH GRASS
- MULCH LAYER 5-10 CM
- CLAY LAYER 70 CM
- SEPARATION & PROTECTION LAYER
- EARTH

SWIMMING POOL :-

- CERAMIC TILES .3*.3*.03 WHITE C.
- SEAL COAT
- ASPHALT FELT 0.15M
- ASPHALT STABILIZED BASE 0.18M
- SEPARATION & PROTECTION LAYER
- GRAVEL SUB BASE

7 TENNIS BALL:-

- FINE STONE .1 MULTIPLE COLOER
- CRUSHED GREEN STONE 0.3 M
- COMPACTED
- HOT MIX ASPHALT 0.7 M
- EARTH SUBGRADE COMPACT TO 95%
SLOPE TO SPECIFICATIONS

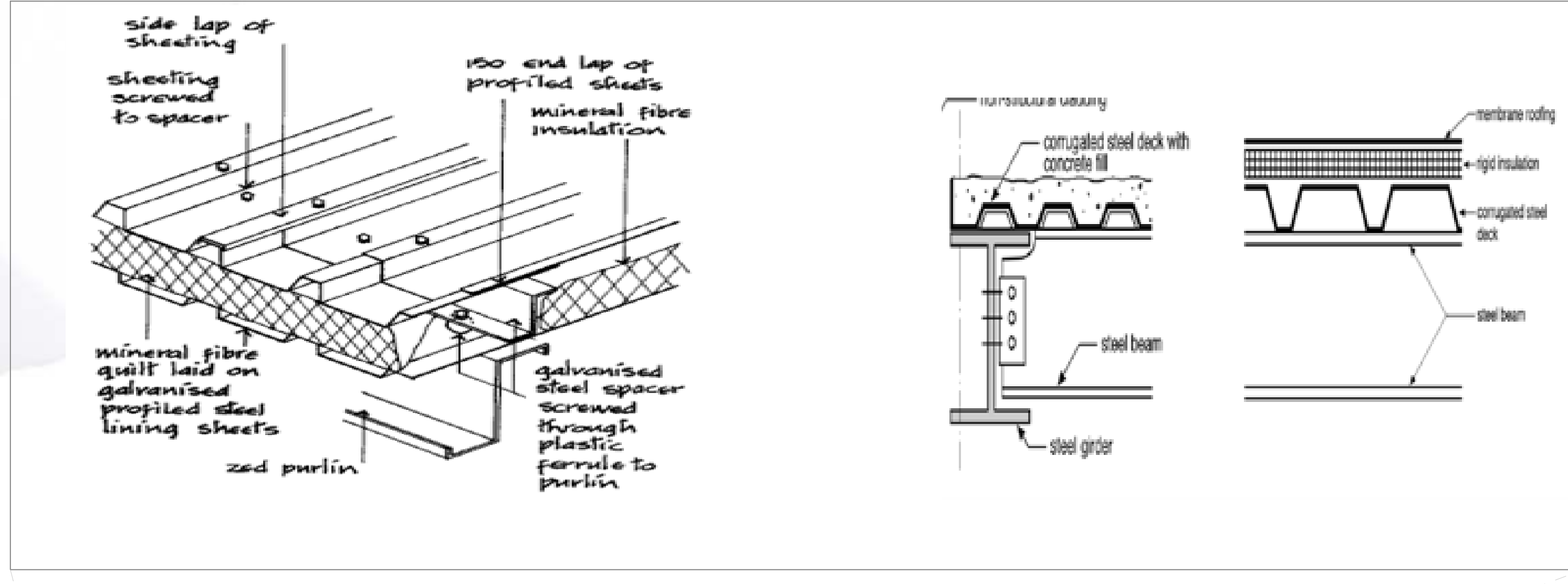
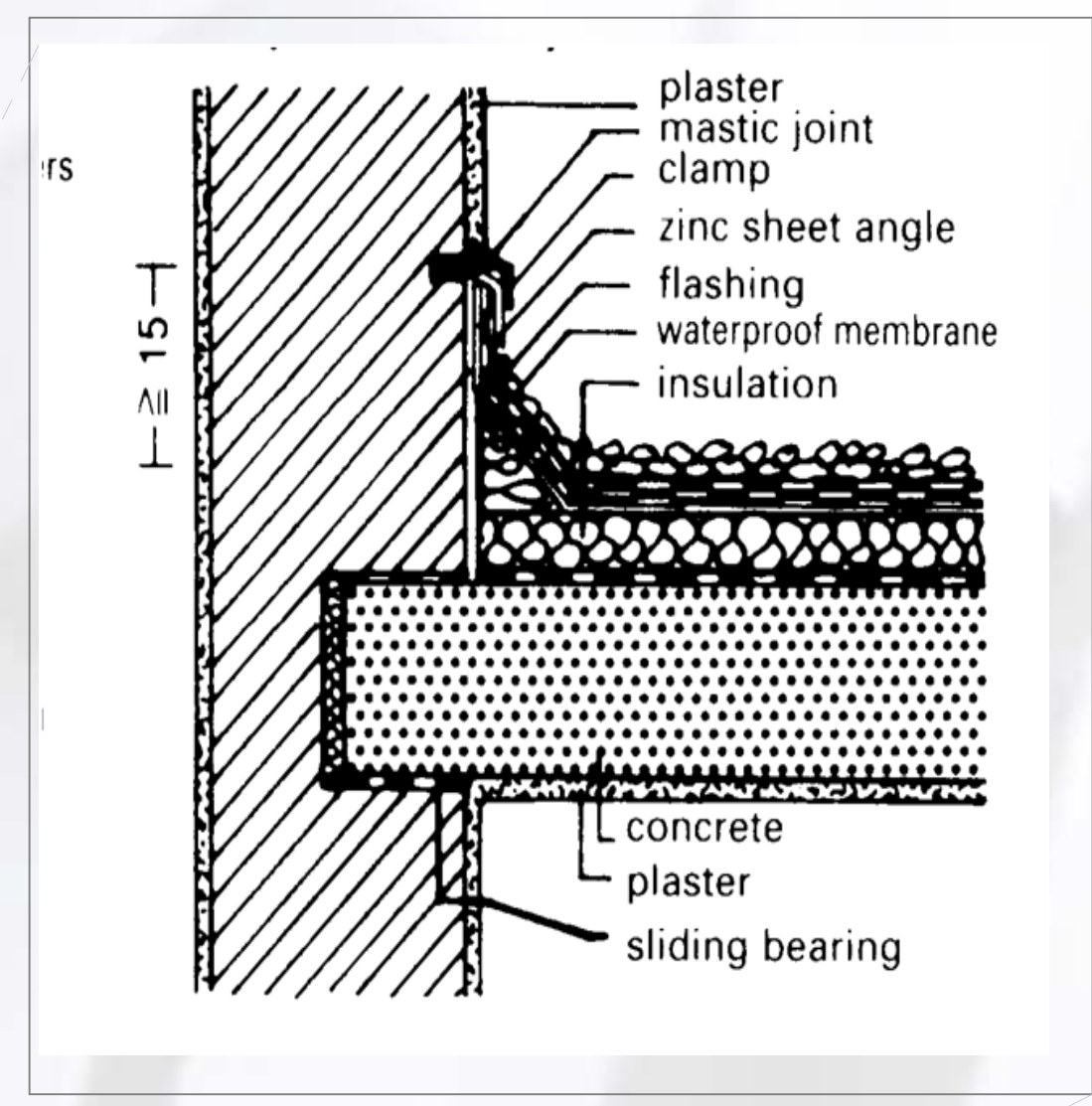
FLOOR :-

- PORCELIN TILES .30*.30*.03 M
- LIGHT BROWN
- CEMENT MORTAR 0,2M
- WATER PROFE (MEMBARNE)
- CORRUGATED STEEL DECK WITH
CONCRETE FILL

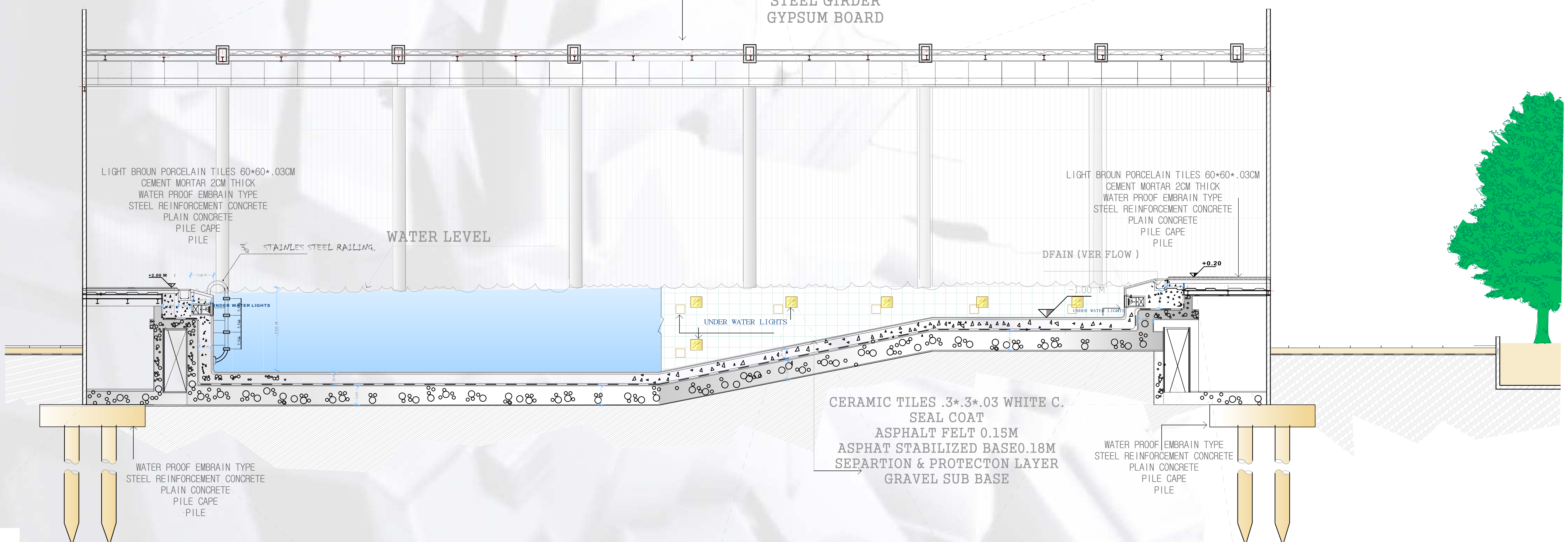
SUDAN UNIVERSITY OF SCIENCE
AND TECHNOLOGY

HIBA SALAH ALTAIEB

FIFTH YEAR
TECNICAL SOULIOTIONS
FIVE STAR HOTEL



CEMENT TILES 30*30*2 CM
CEMENT MORTAR THICK 2CM
KHAFGY 7-15CM
D.P.C 2 LAYER
METAL ROOF DECKING
STEEL BEAM
STEEL GIRDER
GYPNUM BOARD



CERAMIC TILES .3*.3*.03 WHITE C.
SEAL COAT
ASPHALT FELT 0.15M
ASPHALT STABILIZED BASE 0.18M
SEPARATION & PROTECTION LAYER
GRAVEL SUB BASE

