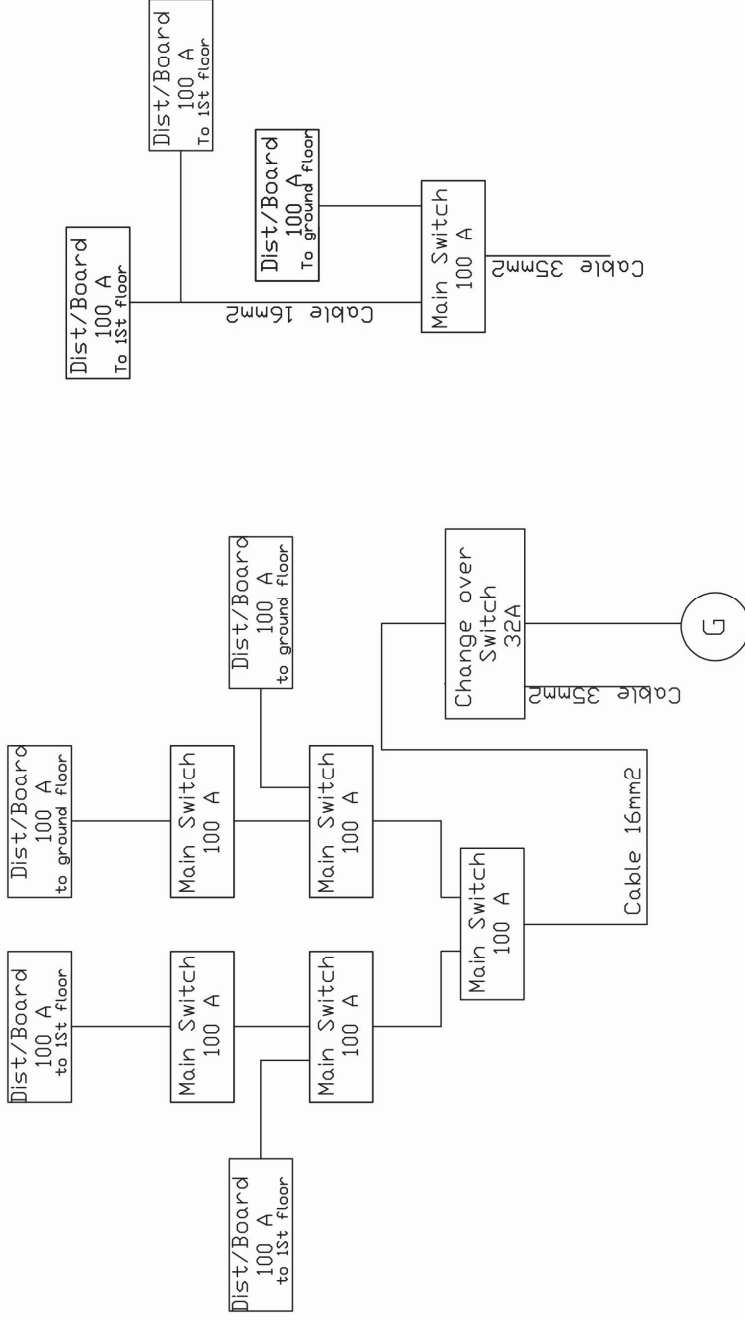


# Appendix : C1

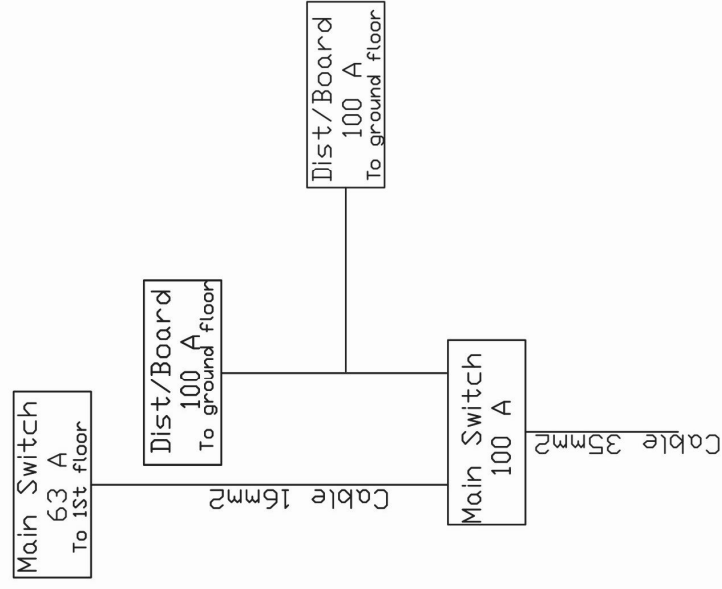


**Block 1**

**Block 2**

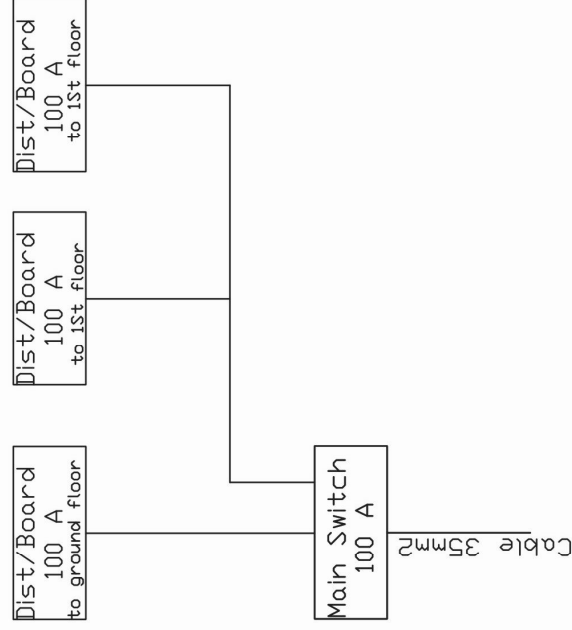
# Appendix : C2

Dist/Board  
100 A



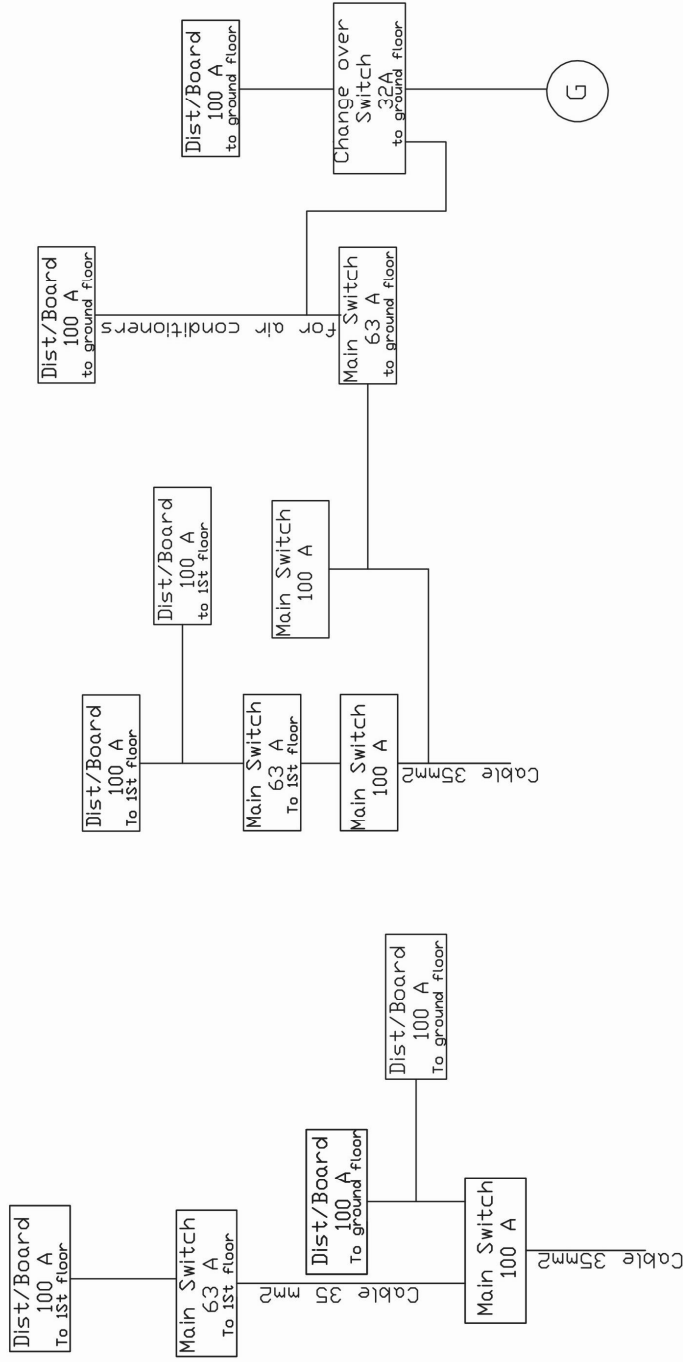
## Block 3

Dist/BoarC  
To 2nd floor



## Block 4

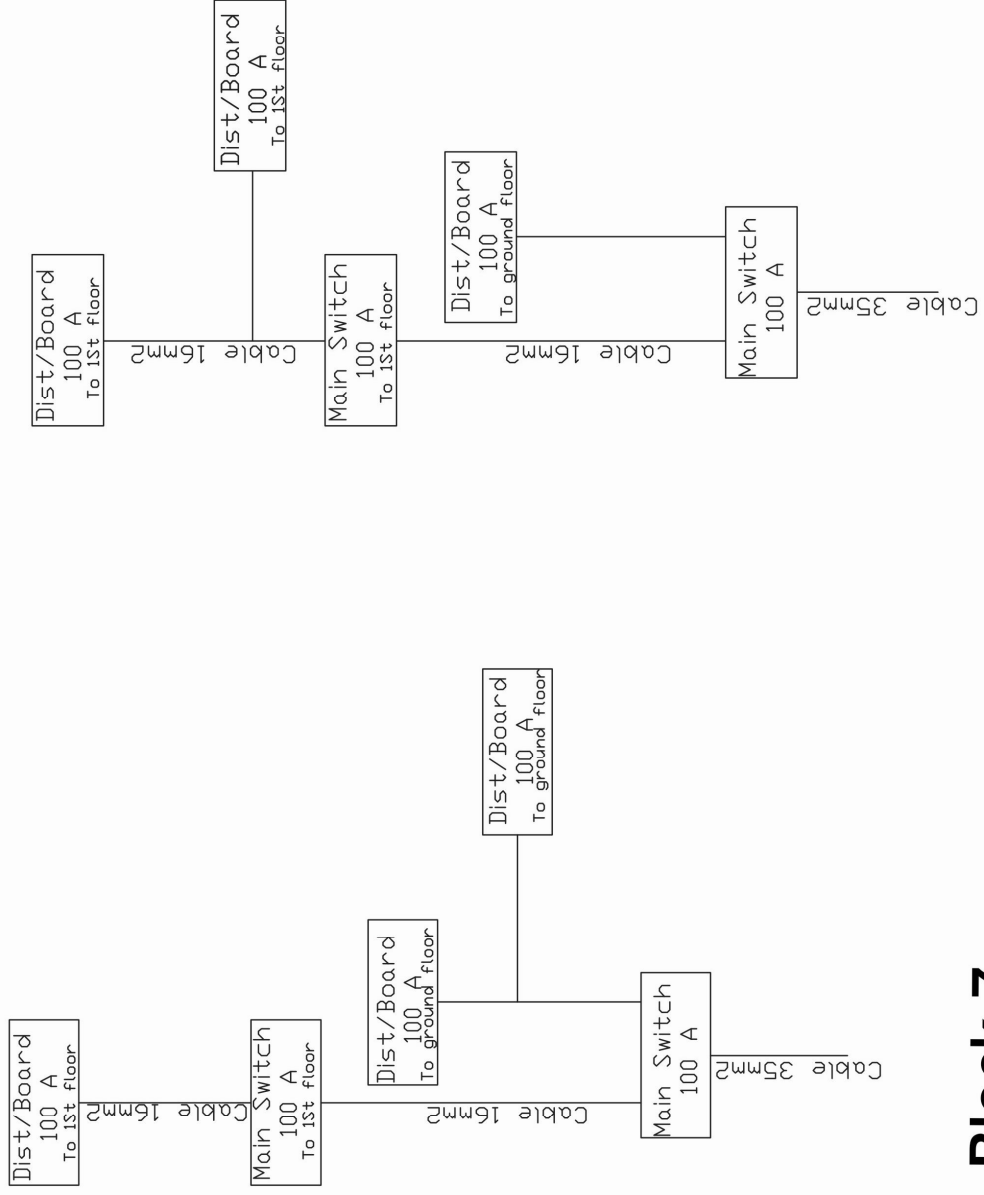
# Appendix : C3



**Block 6**

**Block 5**

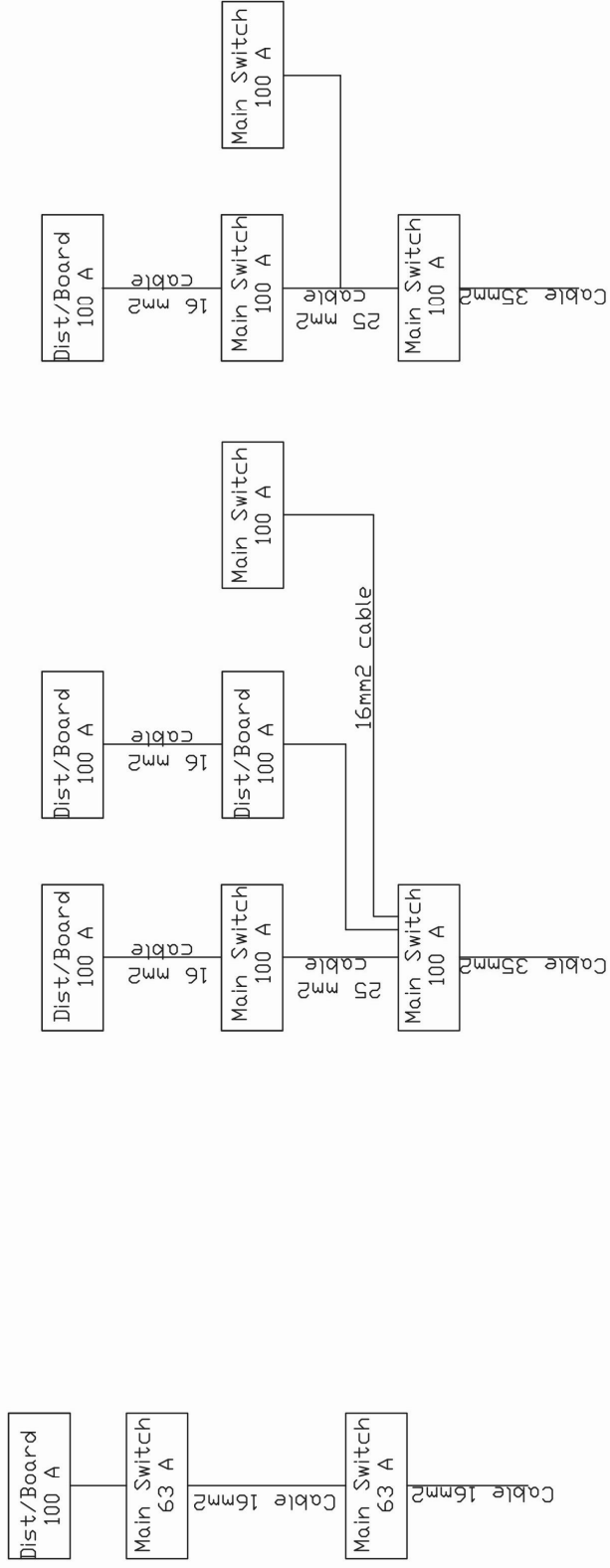
# Appendix : C4



**Block 7**

**Block 8**

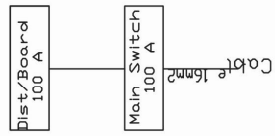
# Appendix : C5



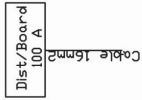
## Service administration

## Block 9

# Appendix : C6



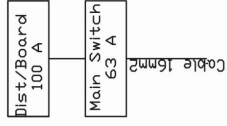
Holy Quran Center



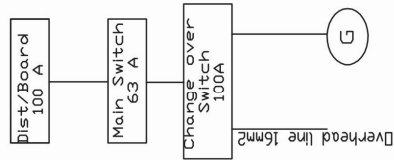
Environmental Administration



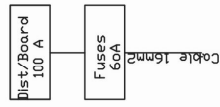
The Nursery



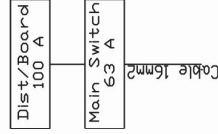
Engineering Administration (1)



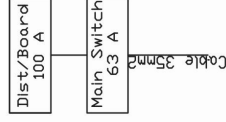
The Bank



Accounting Offices

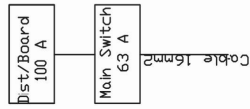


The Treasury

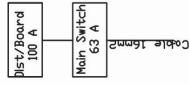


Engineering Administration (2)

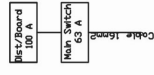
# Appendix : C7



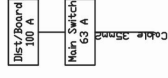
Clinic Center



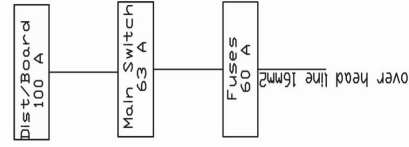
Safeguard Administration



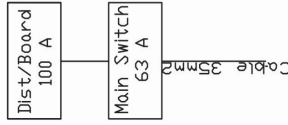
Sugar Institute



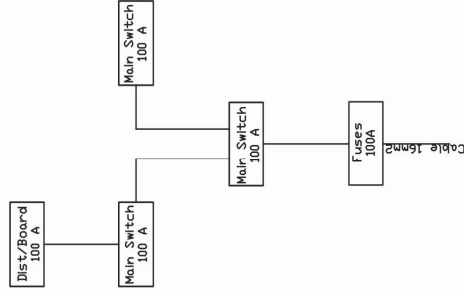
Desert Studies Institute



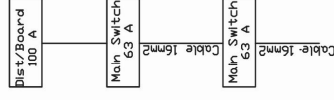
Goats Studies Center



Development Projects Unit

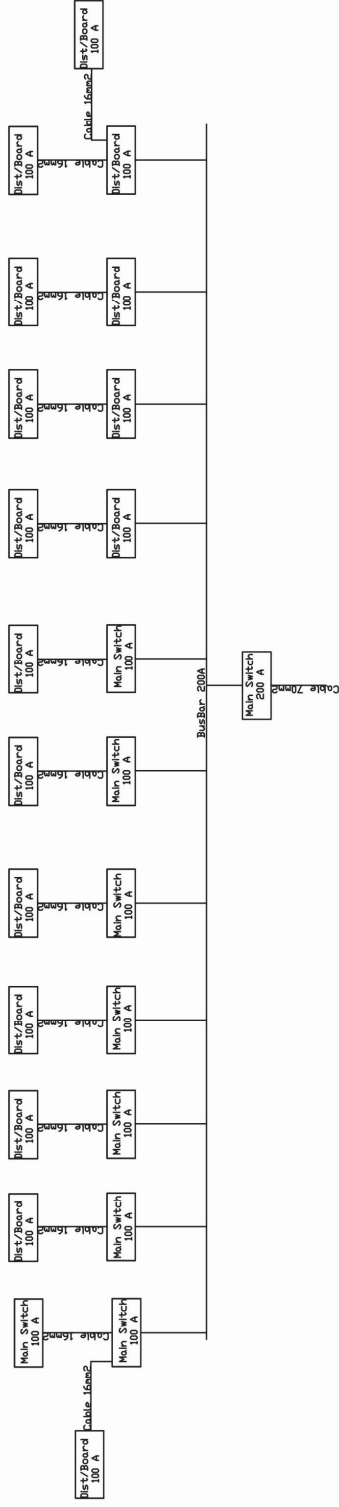


ELSOBAIE Center

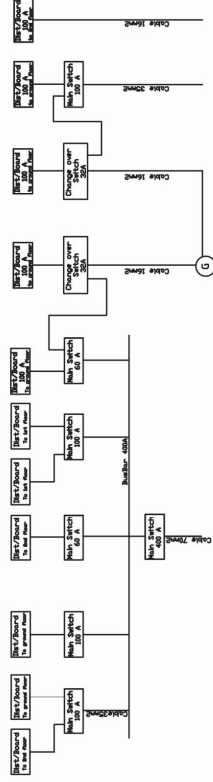


Glass House

# Appendix : C8



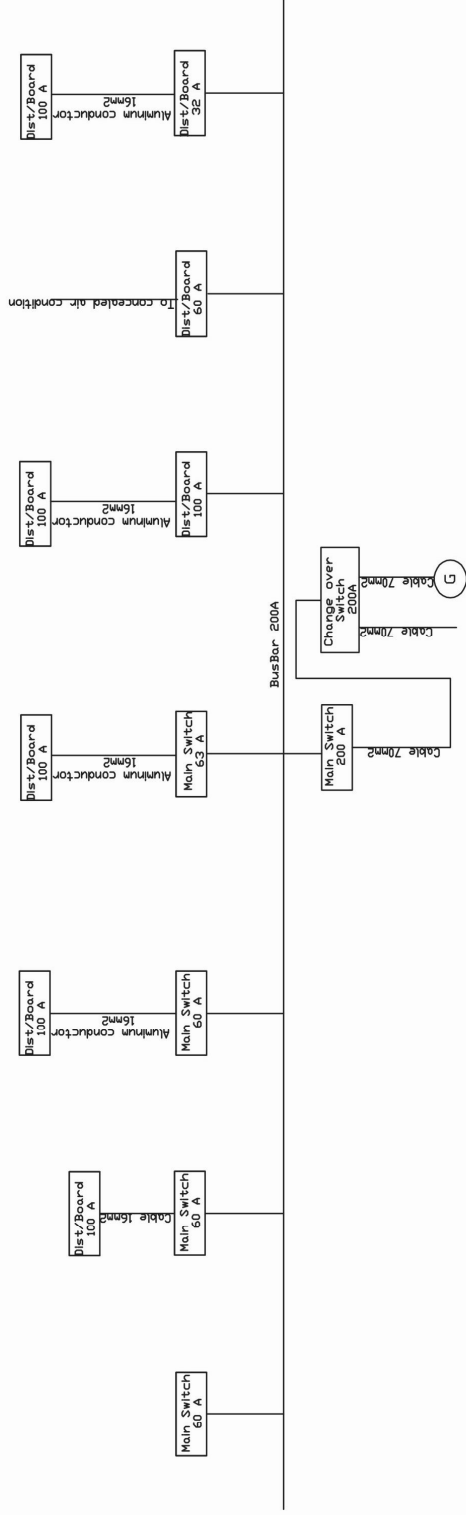
## College of Engineering Laps



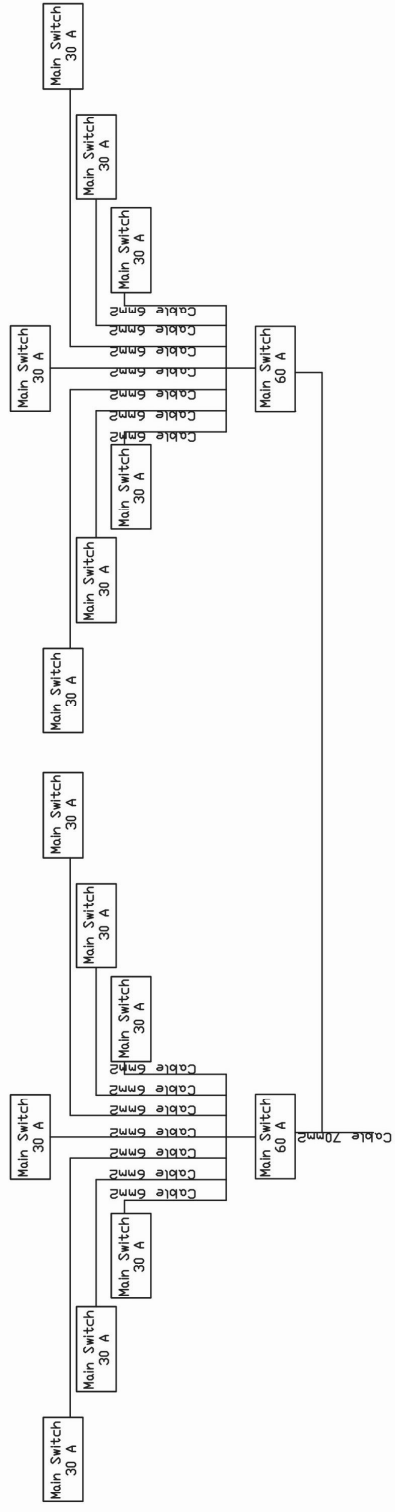
## University Administration



# Appendix : C9

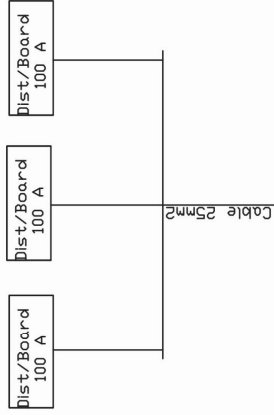


# ELSHOHADA Lecture Rooms

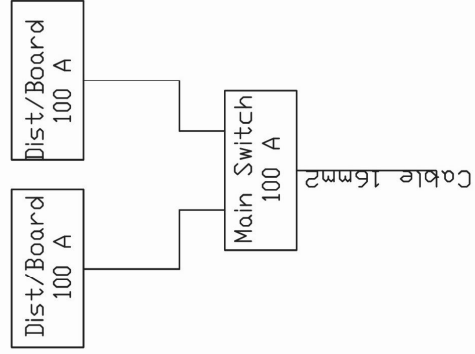


Lap No (4)

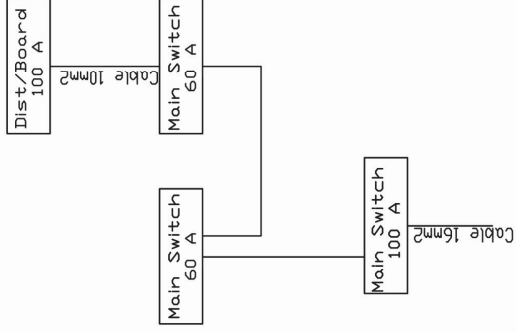
# Appendix : C10



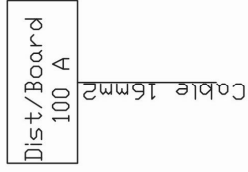
lecture room (1)



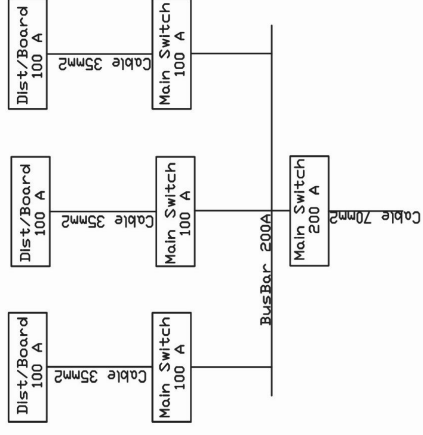
The library



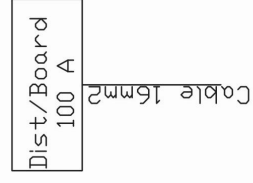
lecture room (2)



Lecture room No(3)



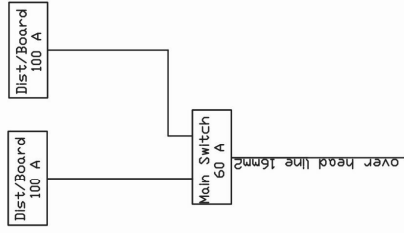
Higher Education Lecture Rooms



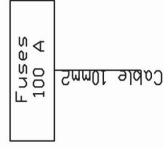
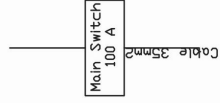
Lecture Room No (5)



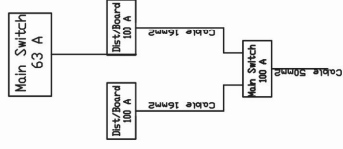
# Appendix : C12



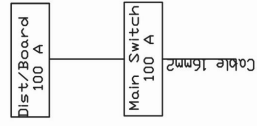
Experimental Farm



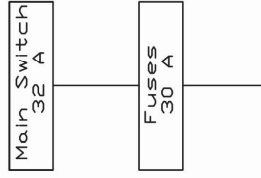
Food Manufacturing Unit



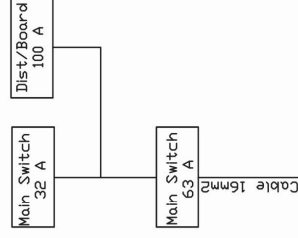
The Mosque



Plants Diseases Center

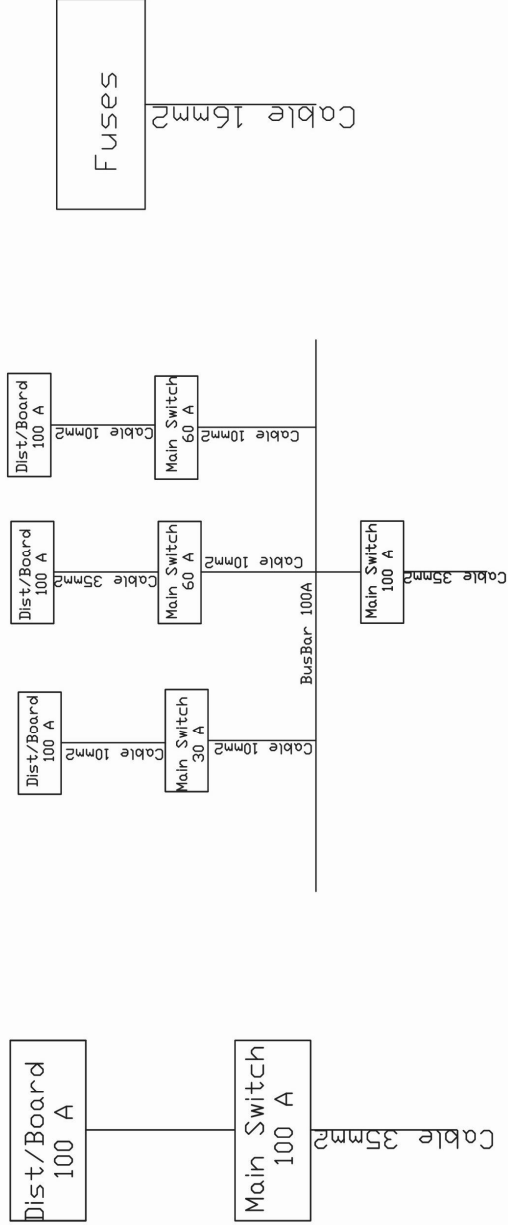


The Stores



Agricultural Laps

# Appendix : C13

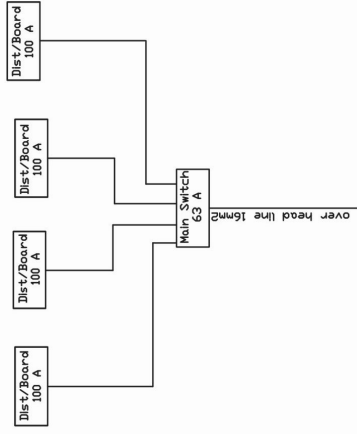


Animal Production Unit

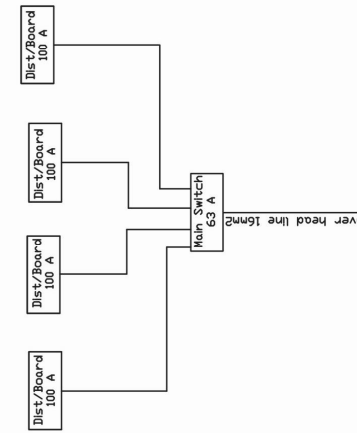
Chemistry lap

Lap No (6)

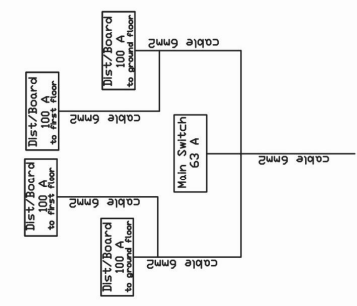
# Appendix : C14



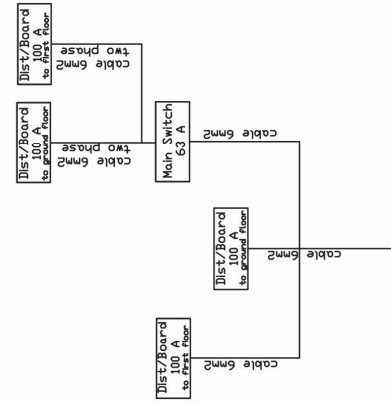
ELWAFAA Students House



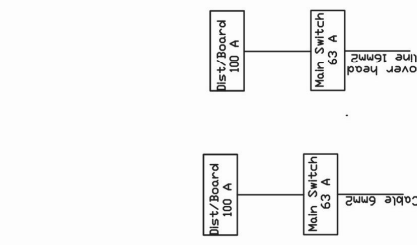
A/HALEEM Students House



ELMAM Students House



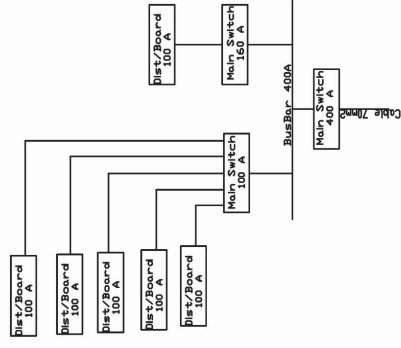
ELHANAA Students House



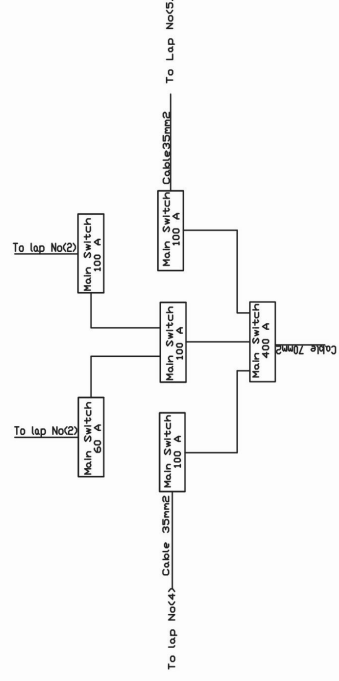
ELKHAMAD Students House

ELDEYAA Students House

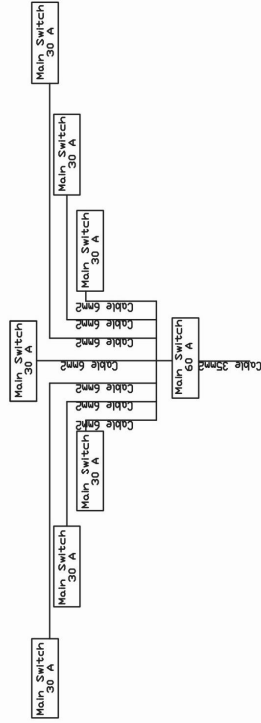
# Appendix : C15



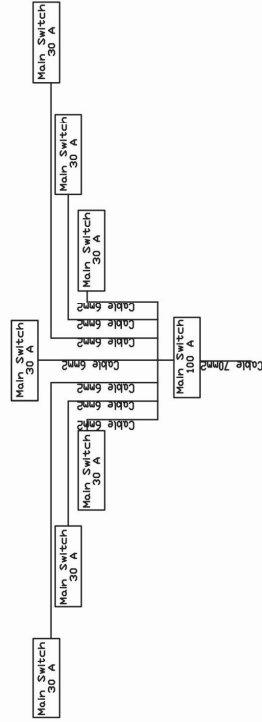
Lap No(1)



Lap No (2)



Lap No(3)



Lap No(5)