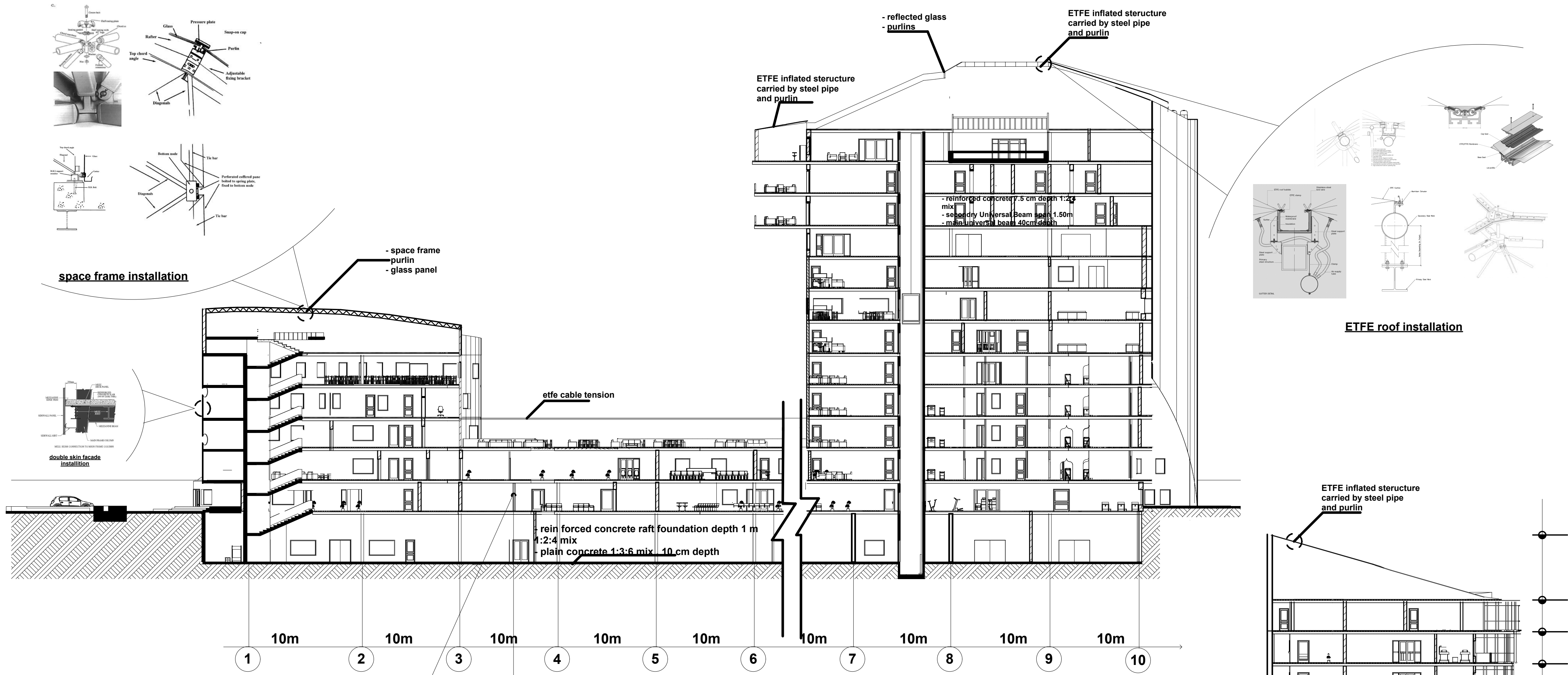


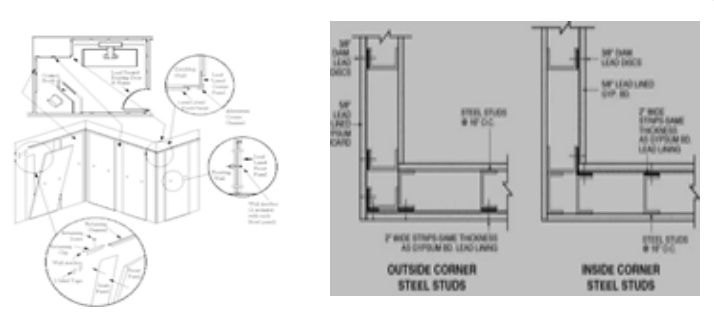
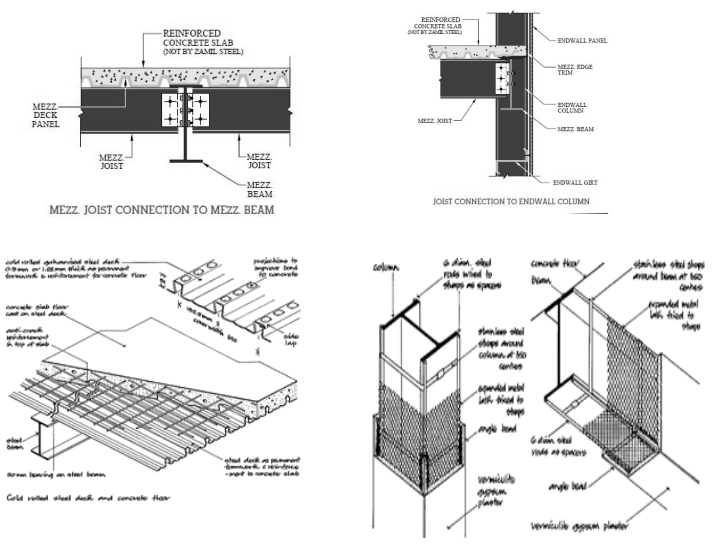
+48.00 m
 +43.40m
 +4.040m
 +37.40m
 +33.40
 +30.40m
 +27.40m
 +23.40m
 +21.50m
 +20.40m
 +19.00m
 +17.40m
 +14.40 m
 +11.40+
 +8.40 m
 +5.00m
 +1.00m
 -4.00m



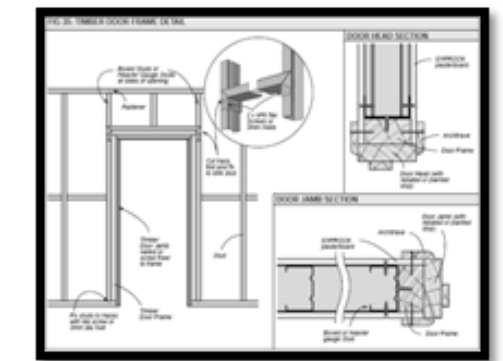
SECTION A-A
 sc (1:500)

10m 10m 10m 10m 10m 10m 10m 10m 10m 10m

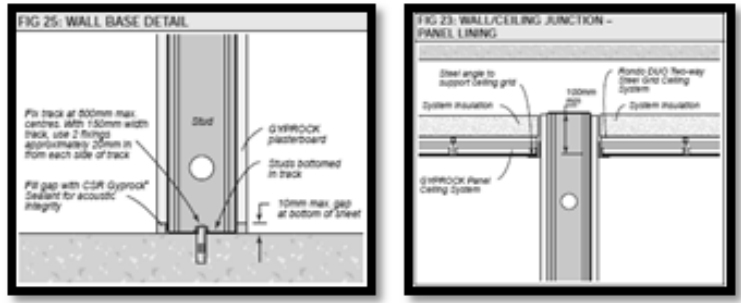
1 2 3 4 5 6 7 8 9 10



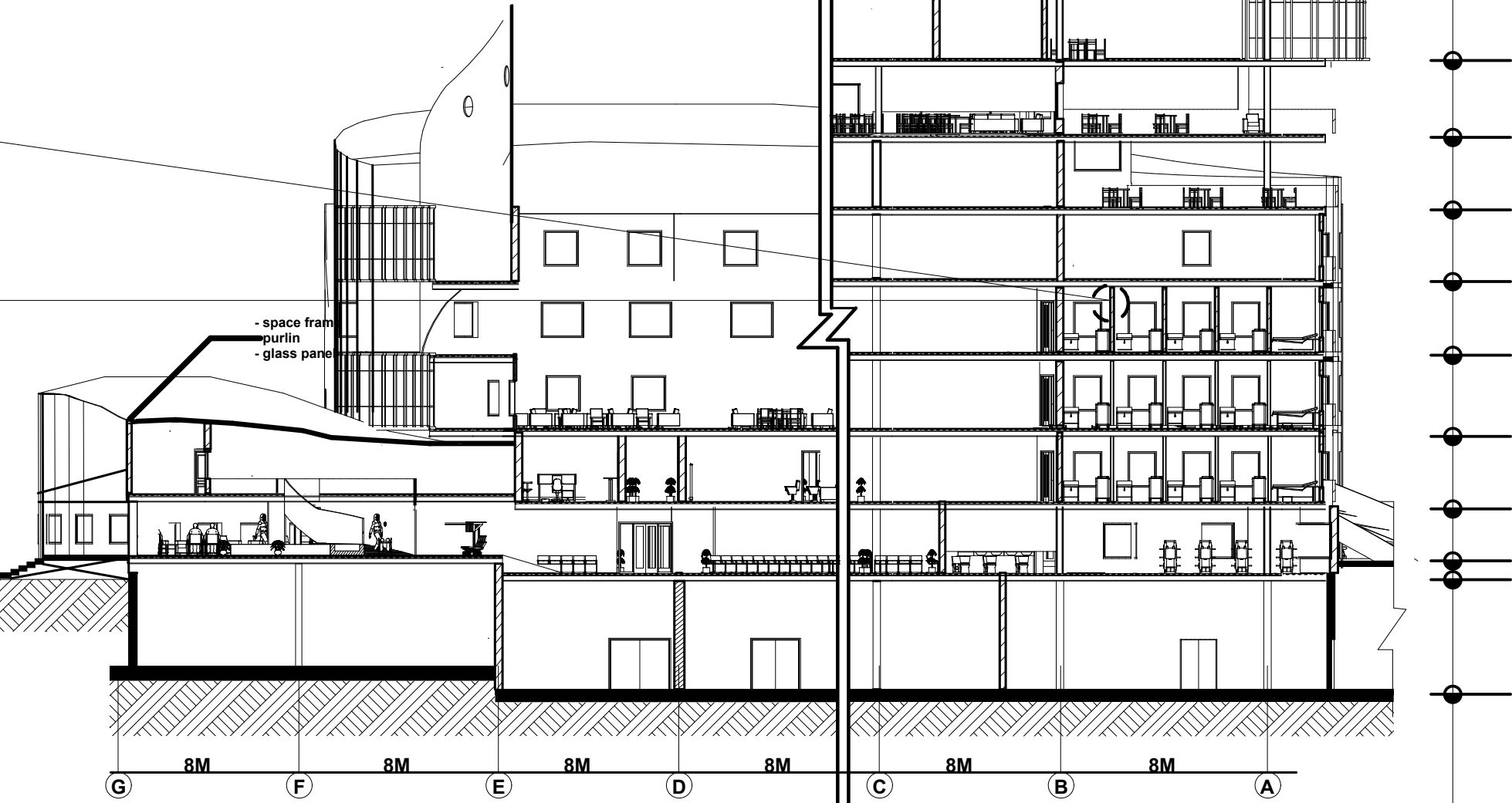
xray room details



wall partition installation



skeleton structural system details



SECTION B-B
 sc (1:500)

8M 8M 8M 8M 8M 8M 8M

G F E D C B A