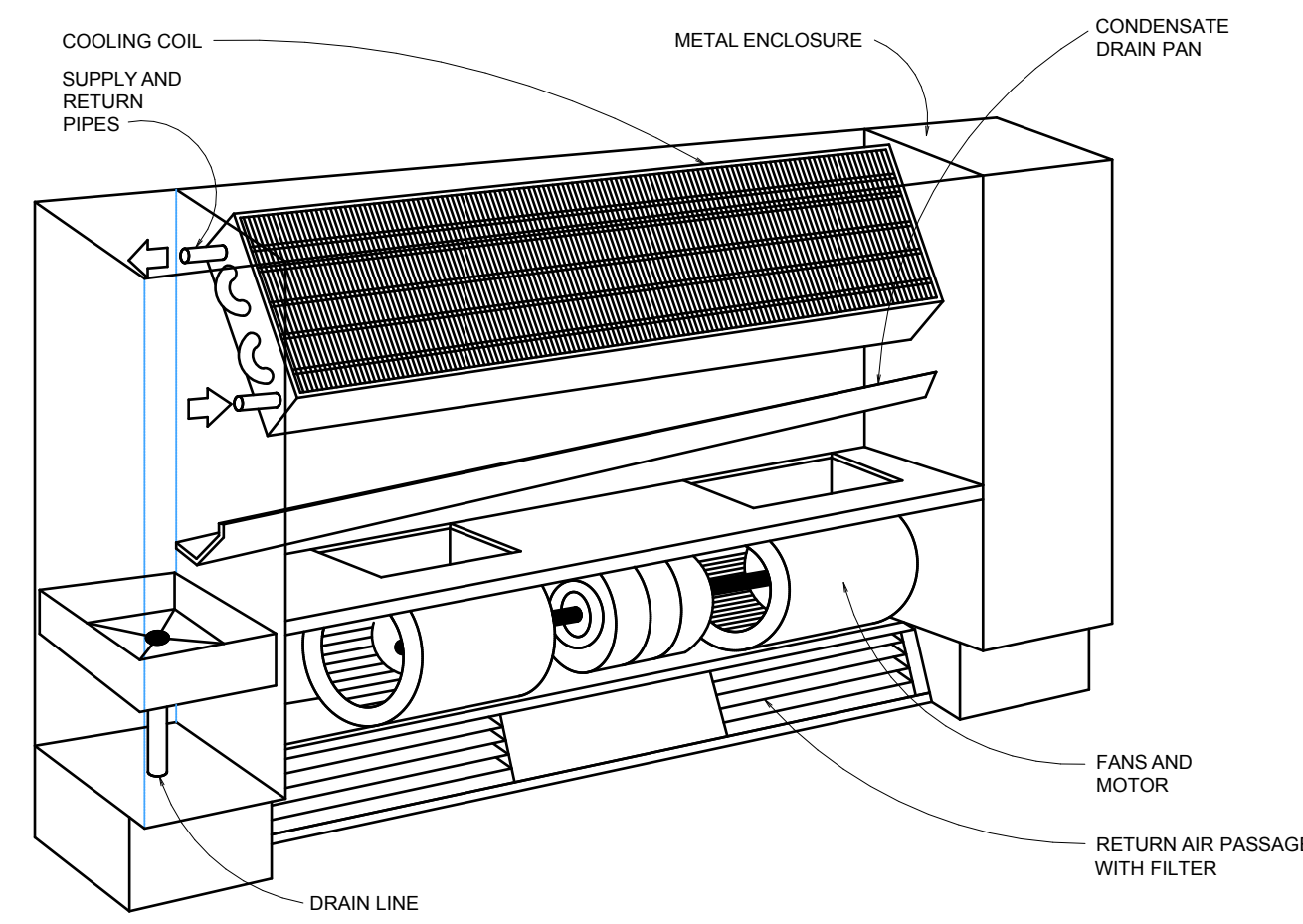


REMARKS :

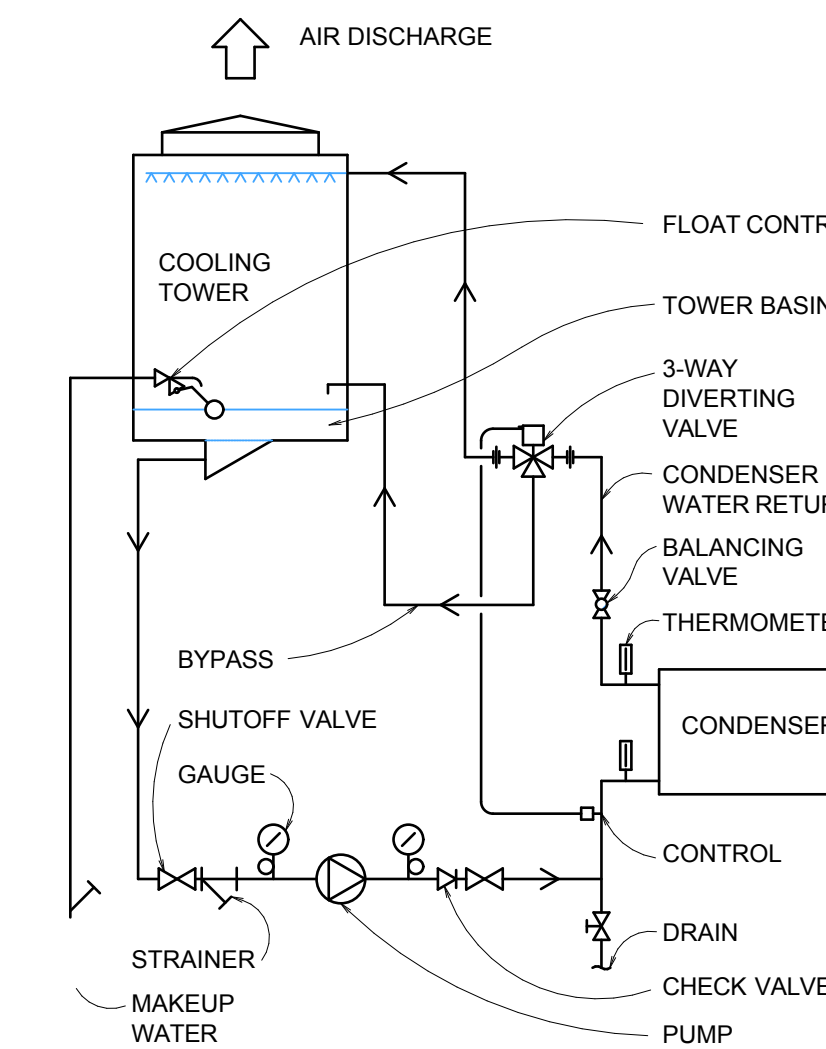
Notes

* ALL DIMENSIONS ARE METRIC



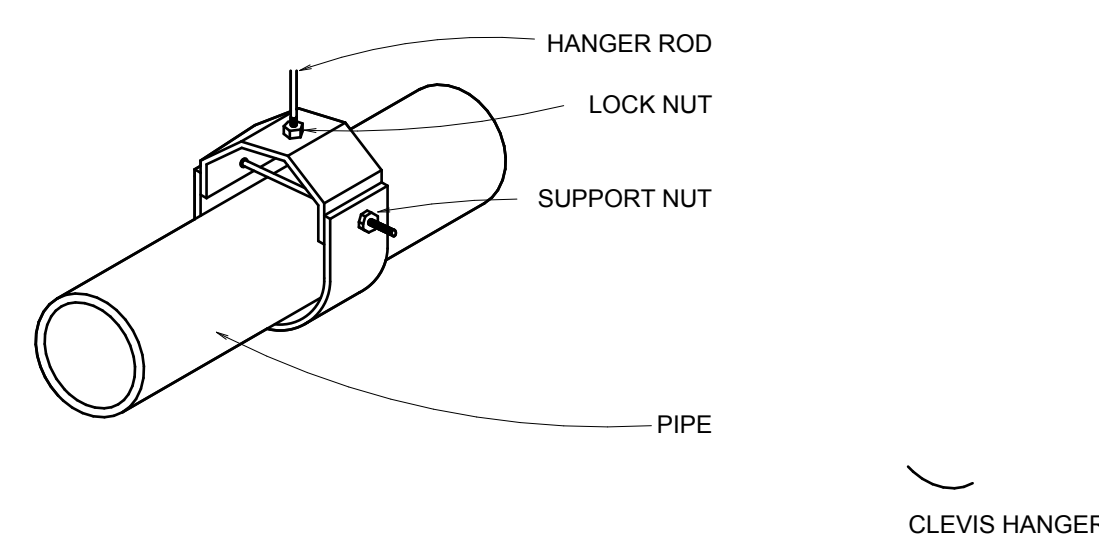
3

SCALE 1:10



FAN COIL CONFIGURATION

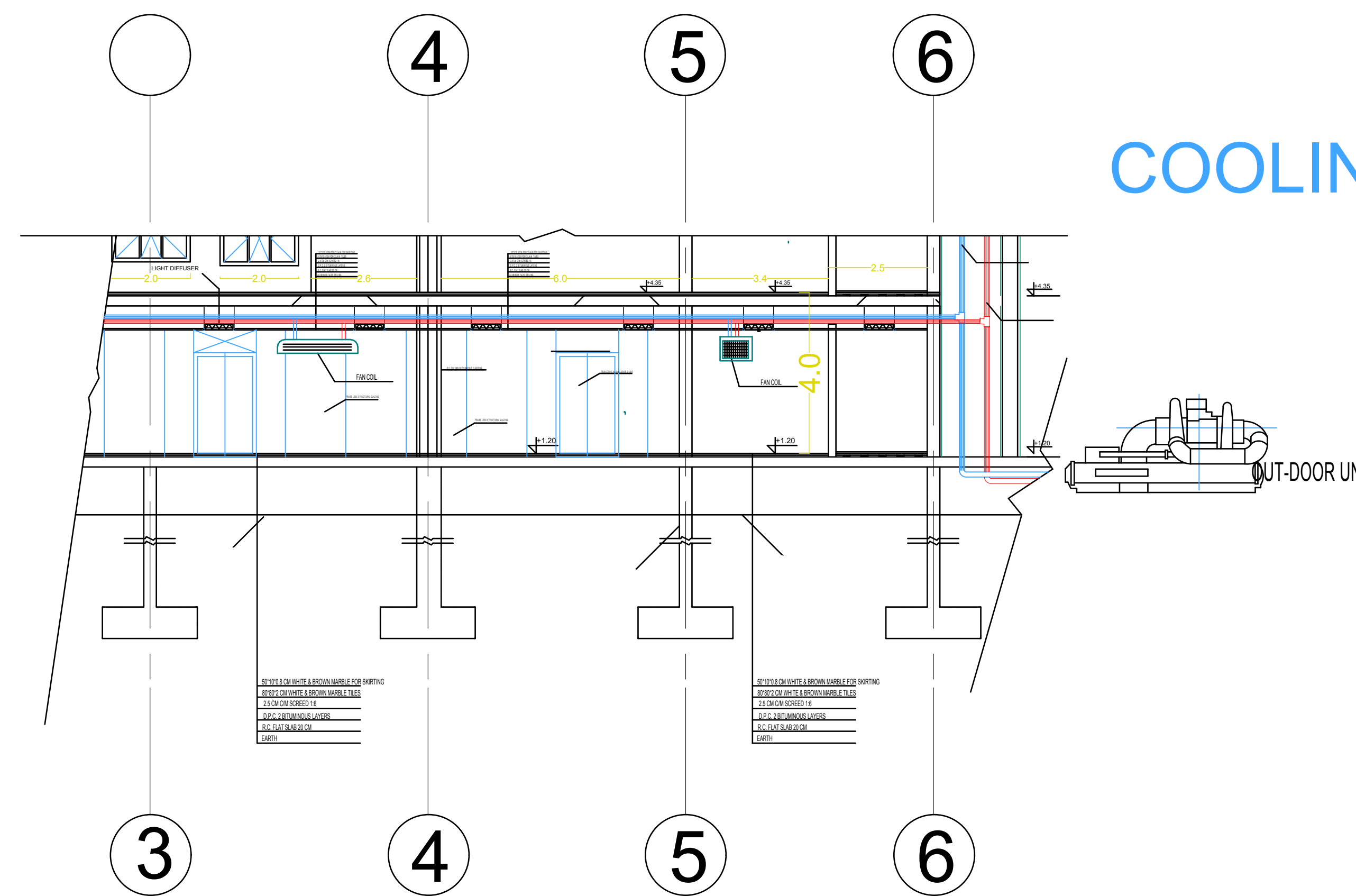
COOLING TOWER DIAGRAM



CLEVIS HANGER

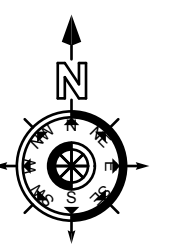
PIPE HANGING SYSTEM

SCALE 1:20



A/C SYSTEM-SECTION

SCALE 1:50



Project

Fine Art Centre

Sheet Title

Air Coolin Section

Drawn By:

m.elfatih a.ella

super visr

m.a. almageed

Scale :
1:50

Date:
-8.2014

Sheet NO:-

