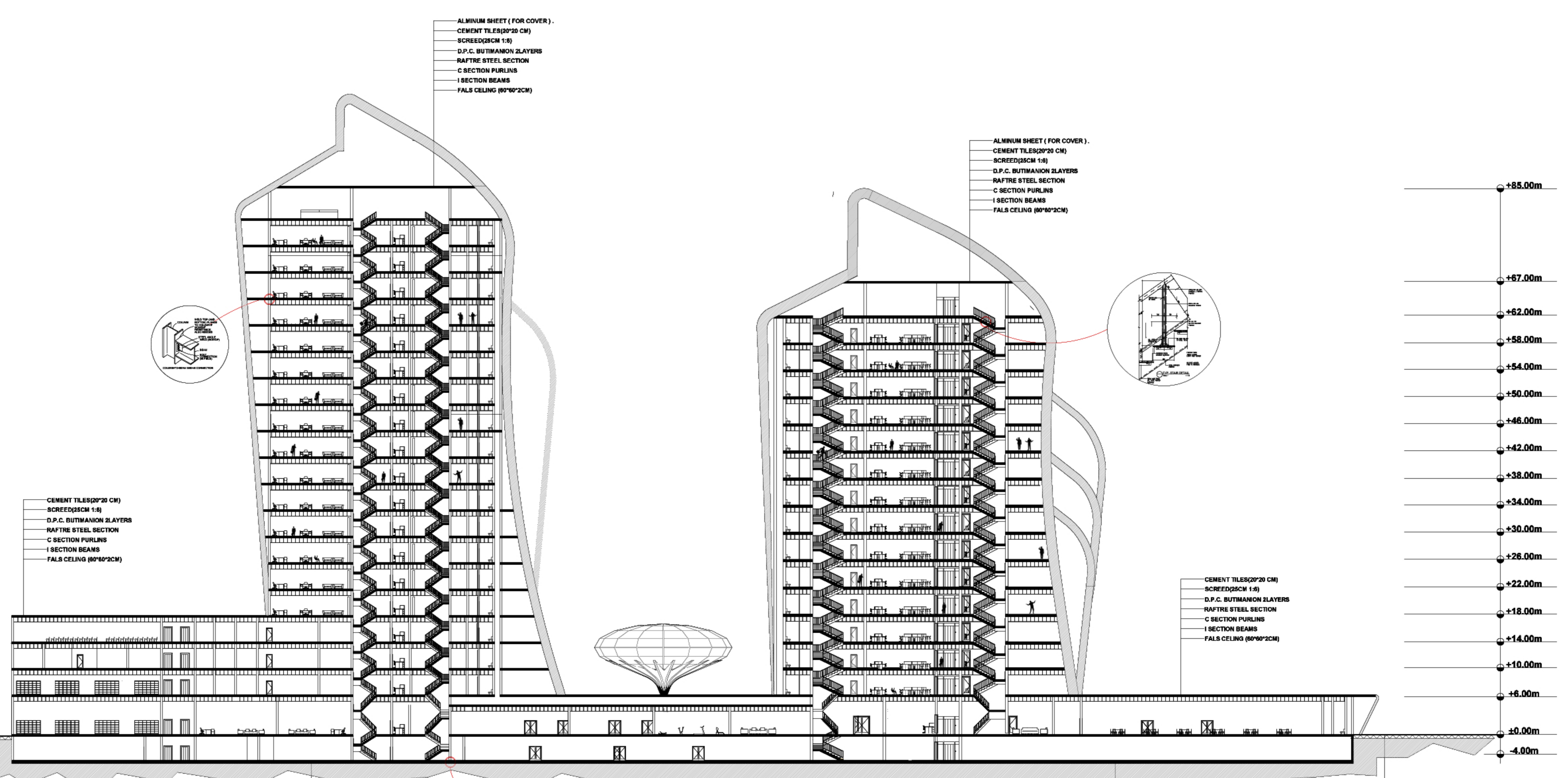


# COMMERCIAL COMPLEX ADMINISTRATIVE



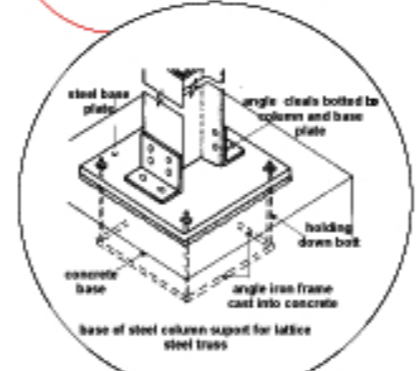
- ALUMINUM SHEET ( FOR COVER )
- CEMENT TILES(20\*20 CM)
- SCREED(25CM 1:8)
- D.P.C. BUTIMANION 2LAYERS
- RAFTRE STEEL SECTION
- C SECTION PURLINS
- 1 SECTION BEAMS
- FALS CEILING (80\*80\*2CM)

- ALUMINUM SHEET ( FOR COVER )
- CEMENT TILES(20\*20 CM)
- SCREED(25CM 1:8)
- D.P.C. BUTIMANION 2LAYERS
- RAFTRE STEEL SECTION
- C SECTION PURLINS
- 1 SECTION BEAMS
- FALS CEILING (80\*80\*2CM)

- CEMENT TILES(20\*20 CM)
- SCREED(25CM 1:8)
- D.P.C. BUTIMANION 2LAYERS
- RAFTRE STEEL SECTION
- C SECTION PURLINS
- 1 SECTION BEAMS
- FALS CEILING (80\*80\*2CM)

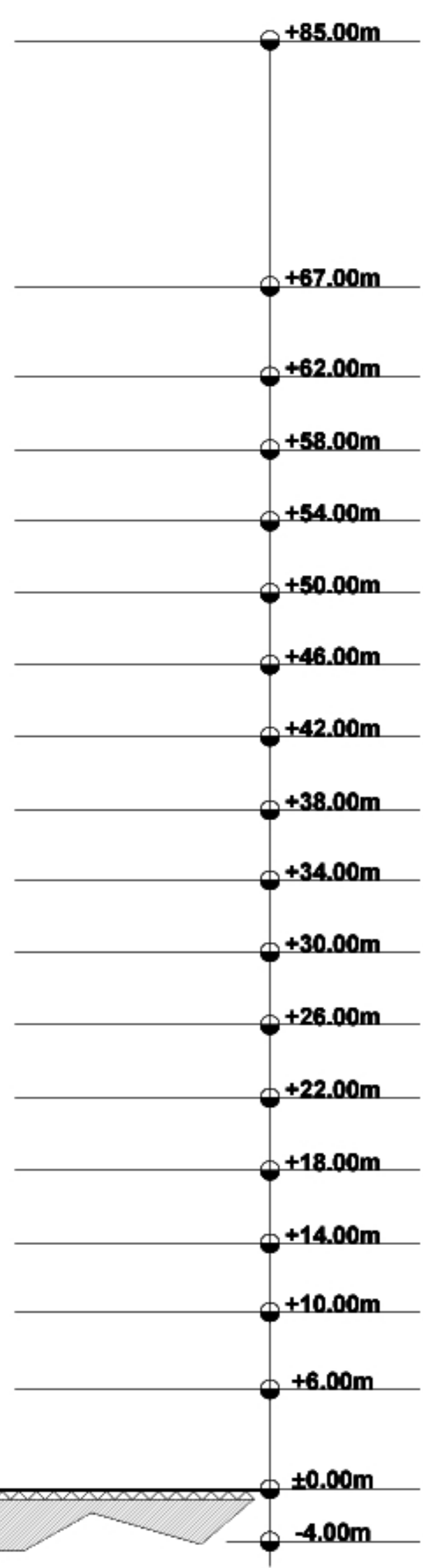
- CEMENT TILES(20\*20 CM)
- SCREED(25CM 1:8)
- D.P.C. BUTIMANION 2LAYERS
- RAFTRE STEEL SECTION
- C SECTION PURLINS
- 1 SECTION BEAMS
- FALS CEILING (80\*80\*2CM)

- 40\*40\*1000 Cms Walks tiles
- MONTER CIB 1.5 CM THICK
- SOTTOMURME 22 LAYERS
- PLAIN CONCRETE (15CM)
- RAFT FOUNDATION
- Earth



- 40\*40\*1000 Cms Walks tiles
- MONTER CIB 1.5 CM THICK
- SOTTOMURME 22 LAYERS
- PLAIN CONCRETE (15CM)
- RAFT FOUNDATION
- Earth

- 40\*40\*1000 Cms Walks tiles
- 4 Cms Sand
- 4 Cms Sand
- 3 Cms Plaster Sheets (D.P.C.)
- 7 Cms Plain concrete
- 50 Cms Hard core (crushed-cobbles)
- Earth



SECTION A-A SCALE 1:300